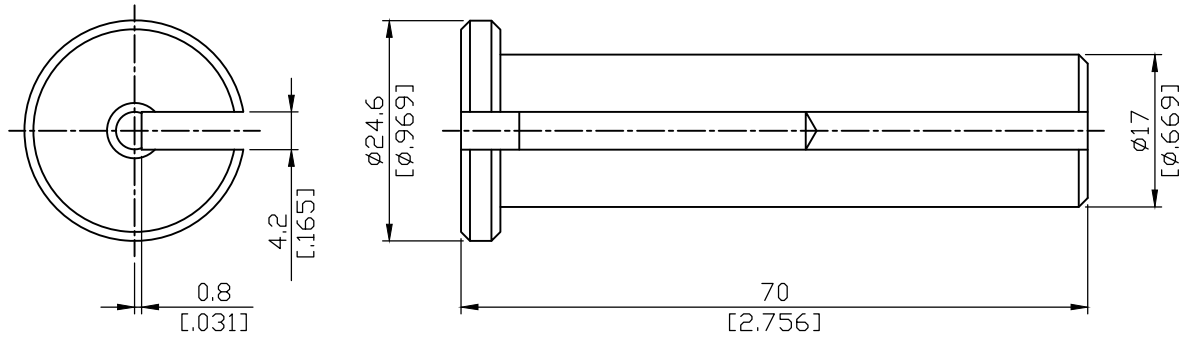


TT-001

Assembly Tool For Taper Sleeve For
RG174, RG178, RG188, RG196, RG316



Parts

Material

Plating (Micro-inch)

Aluminium

This part number complies with RoHS.

Notice: JYEBAO reserves the right to make modifications demand appropriate.