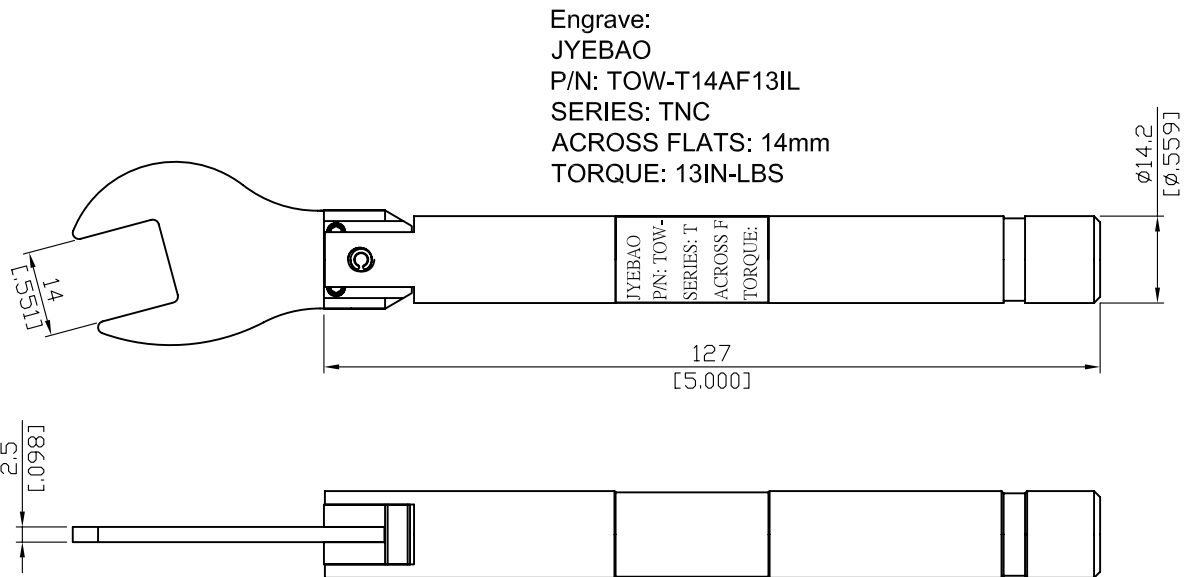


TOW-T14AF13IL

Torque Wrench For TNC



Notes:

1. Each torque wrench is supplied in a cardboard box.
2. Preset torque : 13IN-LBS (1.47Nm)
3. Torque accuracy: +/- 5%
4. Break over ensures that connectors are not over torqued.
5. No certificate of calibration is provided with this product.

| Parts | Material | Plating (Micro-inch) |
|-------------|-----------|------------------------|
| Wrench Head | Steel | Black Chromium |
| Handle | Aluminium | Black Anodized |

This part number complies with RoHS.

Notice: JYEBAO reserves the right to make modifications demand appropriate.