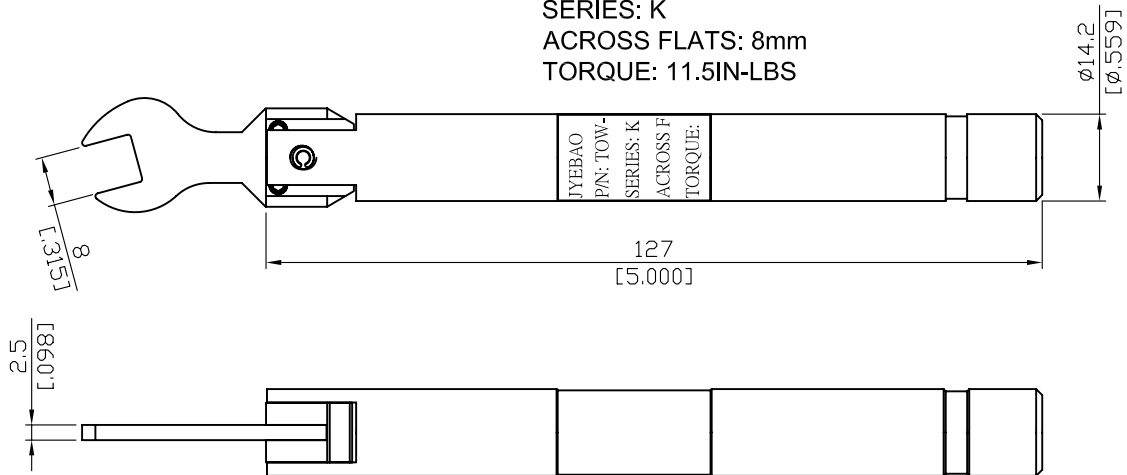


TOW-K8AF11.5IL

Torque Wrench For 2.92mm

Engrave:
 JYEBAO
 P/N: TOW-K8AF11.5IL
 SERIES: K
 ACROSS FLATS: 8mm
 TORQUE: 11.5IN-LBS



Notes:

1. Each torque wrench is supplied in a cardboard box.
2. Preset torque : 11.5IN-LBS (1.3Nm)
3. Torque accuracy: +/- 5%
4. Break over ensures that connectors are not over torqued.
5. No certificate of calibration is provided with this product.

Parts	Material	Plating (Micro-inch)
Wrench Head	Steel	Black Chromium
Handle	Aluminium	Black Anodized

This part number complies with RoHS.

Notice: JYEBAO reserves the right to make modifications demand appropriate.