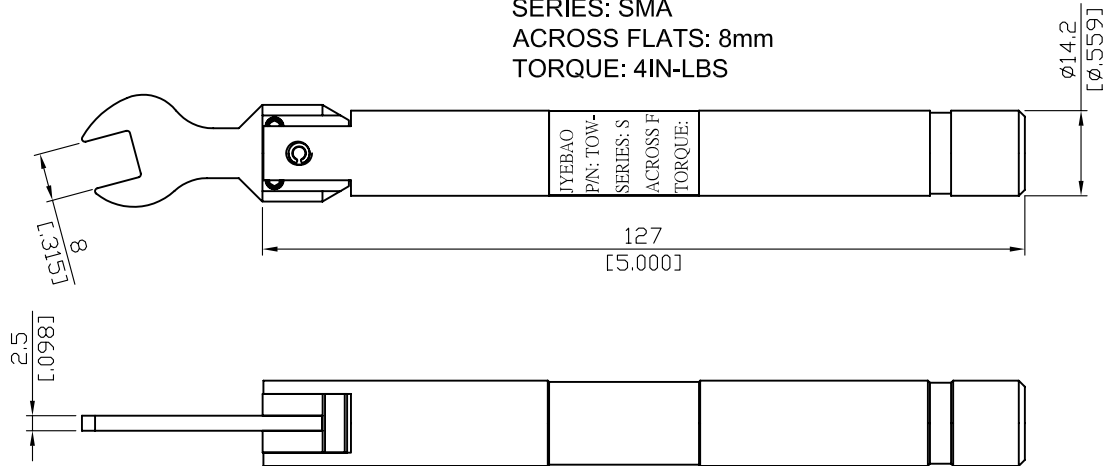


TOW-A8AF4IL

Torque Wrench For Brass SMA

Engrave:
 JYEBAO
 P/N: TOW-A8AF4IL
 SERIES: SMA
 ACROSS FLATS: 8mm
 TORQUE: 4IN-LBS



Notes:

1. Each torque wrench is supplied in a cardboard box.
2. Preset torque : 4IN-LBS (0.45Nm)
3. Torque accuracy: +/- 5%
4. Break over design ensures that connectors are not over torqued.
5. No certificate of calibration is provided with this product.

Parts	Material	Plating (Micro-inch)
Wrench Head	Steel	Black Chromium
Handle	Aluminium	Black Anodized

This part number complies with RoHS.

Notice: JYEBAO reserves the right to make modifications deemed appropriate.