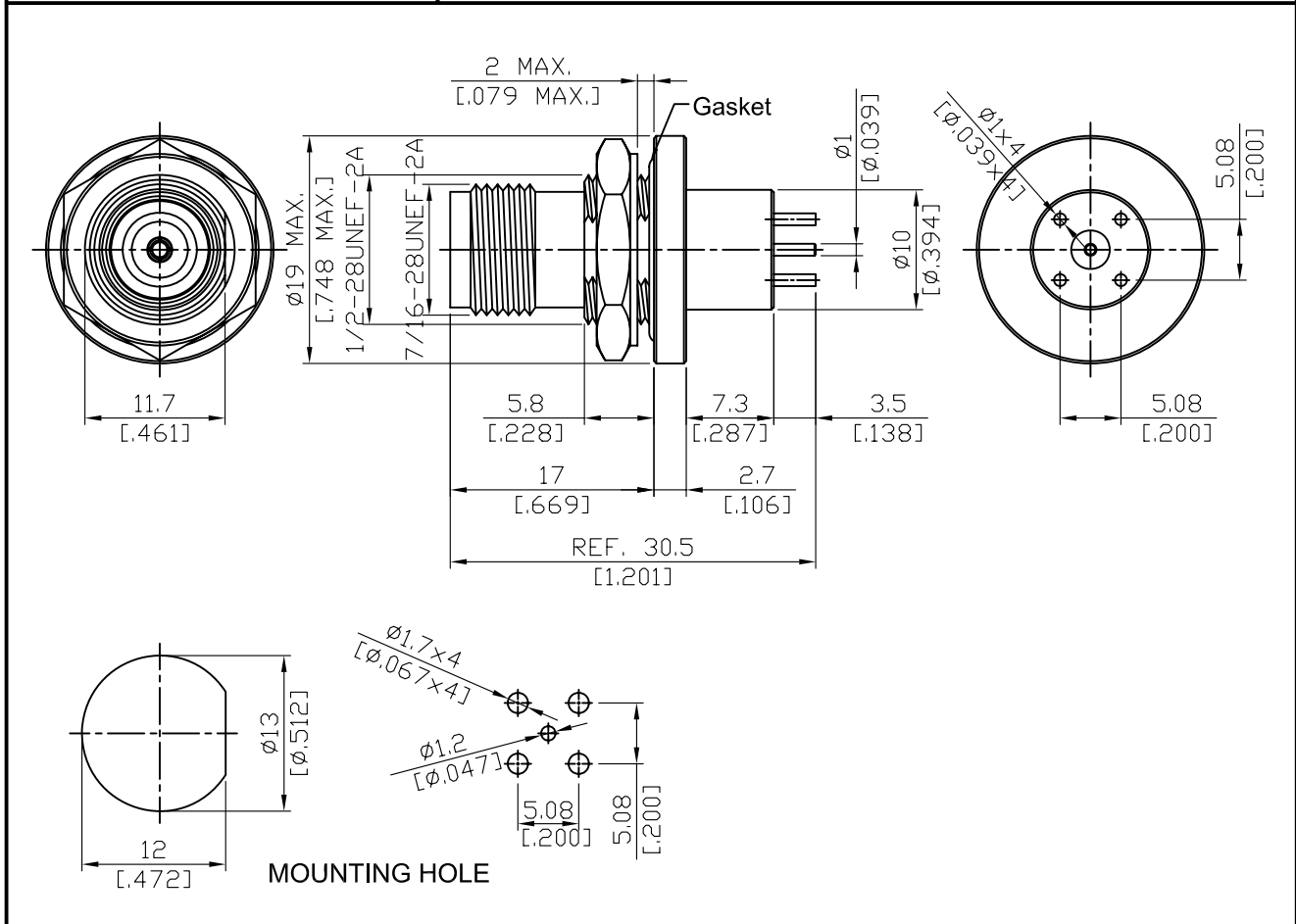


TNC8405AV-0000/NI	TNC Jack PCB Mount Bulkhead With Round Contact (Φ1)	50Ω
-------------------	--	-----



Parts	Material	Plating ( Micro-inch )
Nut	Brass	Nickel 150 Over Copper 50
Gasket	Silicone	
Lock Washer	Brass	Nickel 150 Over Copper 50
Pin	Brass	Gold 4 Over Nickel-Phosphorus Alloy 80 Over Copper 20
Contact Pin	P.Bronze	Gold 4 Over Nickel-Phosphorus Alloy 80 Over Copper 20
Insulator	Teflon	
Body	Brass	Nickel 150 Over Copper 50

	IP6 (Mated)
--	-------------

This part number complies with RoHS.

Notice: JYEBAO reserves the right to make modifications demand appropriate.