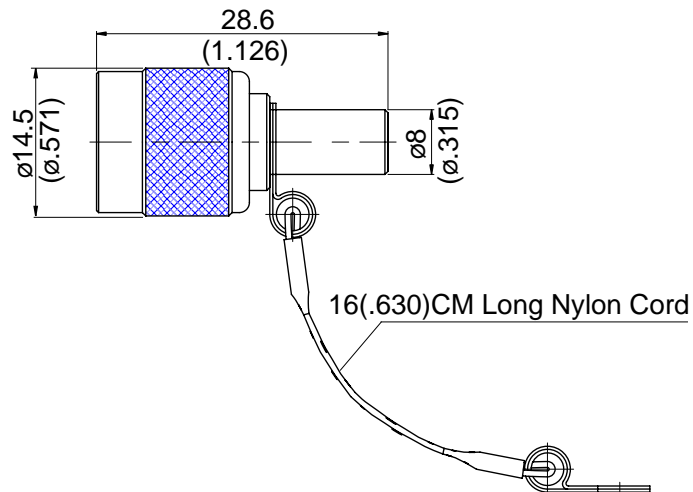


TNC39NY-0002

TNC Plug Terminator With Nylon Cord 50Ω



2W average power from -55°C to 70°C linearly derated to 1 Watt at 165°C
VSWR≤1.2 UP TO 2 GHZ

Parts	Material	Plating (Micro-inch)
Ferrule	Brass	Tin-Zinc-Copper-Alloy 100 Over Copper 50
Free Reed	Brass	Tin-Zinc-Copper-Alloy 100 Over Copper 50
Contact Body	Brass	Tin-Zinc-Copper-Alloy 100 Over Copper 50
Part	Brass	Tin-Zinc-Copper-Alloy 100 Over Copper 50
Nylon Cord	Nylon	
Contact Pin	Brass	Gold 3 Over Nickel 50 Over Copper 50
Gasket	Silicon	
Spring	SK5	Tin-Zinc-Copper-Alloy 100 Over Copper 50
Washer	Brass	Tin-Zinc-Copper-Alloy 100 Over Copper 50
Insulator	Teflon	
Body	Brass	Tin-Zinc-Copper-Alloy 100 Over Copper 50
Coupling Nut	Brass	Tin-Zinc-Copper-Alloy 100 Over Copper 50

Weight: 15.97 g

This part number complies with RoHS.

Notice: JYEBAO reserves the right to make modifications deemed appropriate.