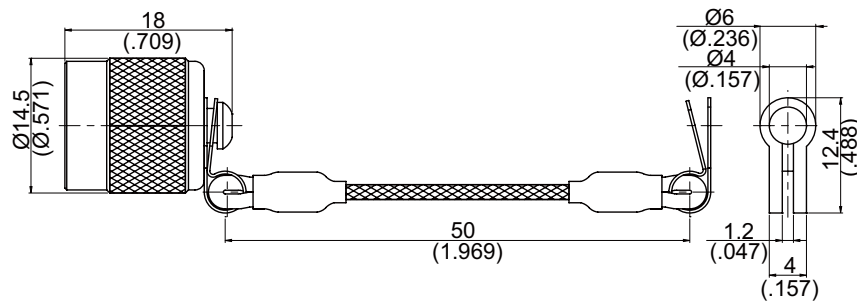


TNC38NY-0000

TNC Plug Cap Wity Nylon Cord 50Ω



Parts	Material	Plating (Micro-inch)
Rivet	Brass	Tin-Zinc-Copper-Alloy 100 Over Copper 50
Washer	Brass	Tin-Zinc-Copper-Alloy 100 Over Copper 50
Gasket	Silicon	
Cord	Nylon	
Free Reed	Steel	Nickel Plated
Coupling Nut	Brass	Tin-Zinc-Copper-Alloy 100 Over Copper 50

Weight:

This part number complies with RoHS.

Notice: JYEBAO reserves the right to make modifications deemed appropriate.