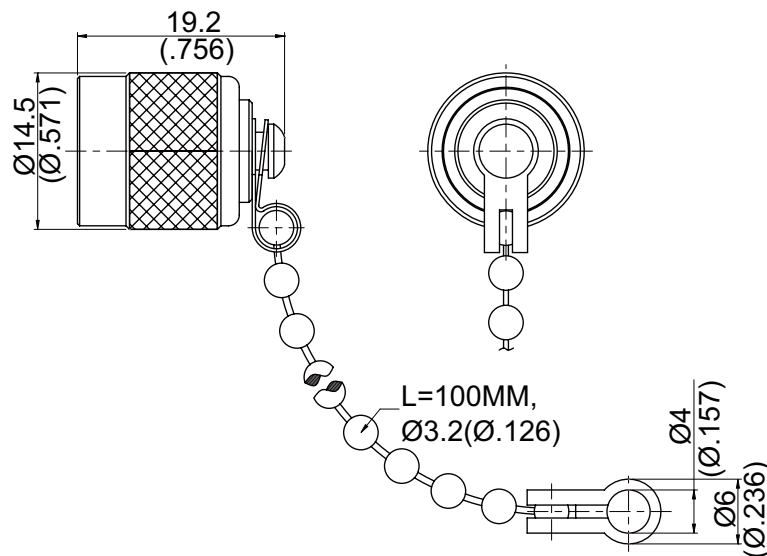


TNC3080-0000

TNC Plug Short End With Chain



| Parts | Material | Plating (Micro-inch) |
|--------------|----------|--|
| Rivet | Brass | Tin-Zinc-Copper-Alloy 100 Over Copper 50 |
| Contact Pin | Brass | Gold 3 Over Nickel 50 Over Copper 50 |
| Gasket | Silicon | |
| Ring | Delrin | |
| Washer | Brass | Tin-Zinc-Copper-Alloy 100 Over Copper 50 |
| Insulator | Teflon | |
| Body | Brass | Tin-Zinc-Copper-Alloy 100 Over Copper 50 |
| Chain | Brass | Tin-Zinc-Copper-Alloy 100 Over Copper 50 |
| Coupling Nut | Brass | Tin-Zinc-Copper-Alloy 100 Over Copper 50 |

Weight: 12.89 g

This part number complies with RoHS.

Notice: JYEBAO reserves the right to make modifications deemed appropriate.