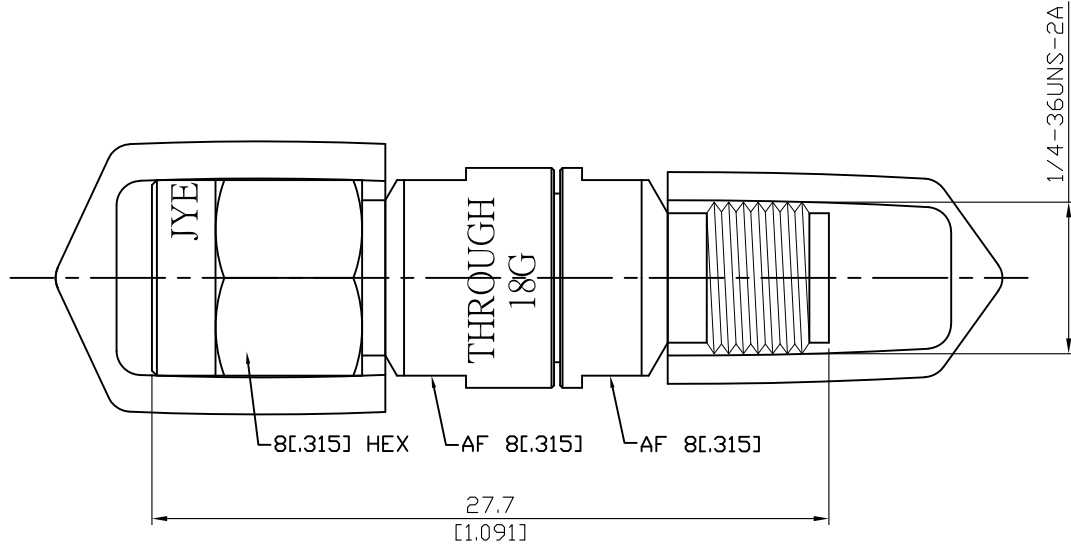


TH-SMA-MF-18G

SMA Plug to SMA Jack Phase Matched Adaptor  
18GHz 28dB

50Ω



THROUGH ADAPTOR		
FREQUENCY RANGE	DC-18GHz	
IMPEDANCE	50Ω	
INSERTION LOSS	≤ 0.15dB	
ELECTRICAL LENGTH (mm)	29.3±0.12	
RETURN LOSS	DC-6GHz	≥ 32dB
	6-18GHz	≥ 28dB

Notes:

1. Temperature range for optimal results: +20 °C to +26 °C
2. Storage temperature range: -20 °C to +75°C
3. When not in use put on cap to keep connector clean
4. Return loss test results shipped along with goods (example below)

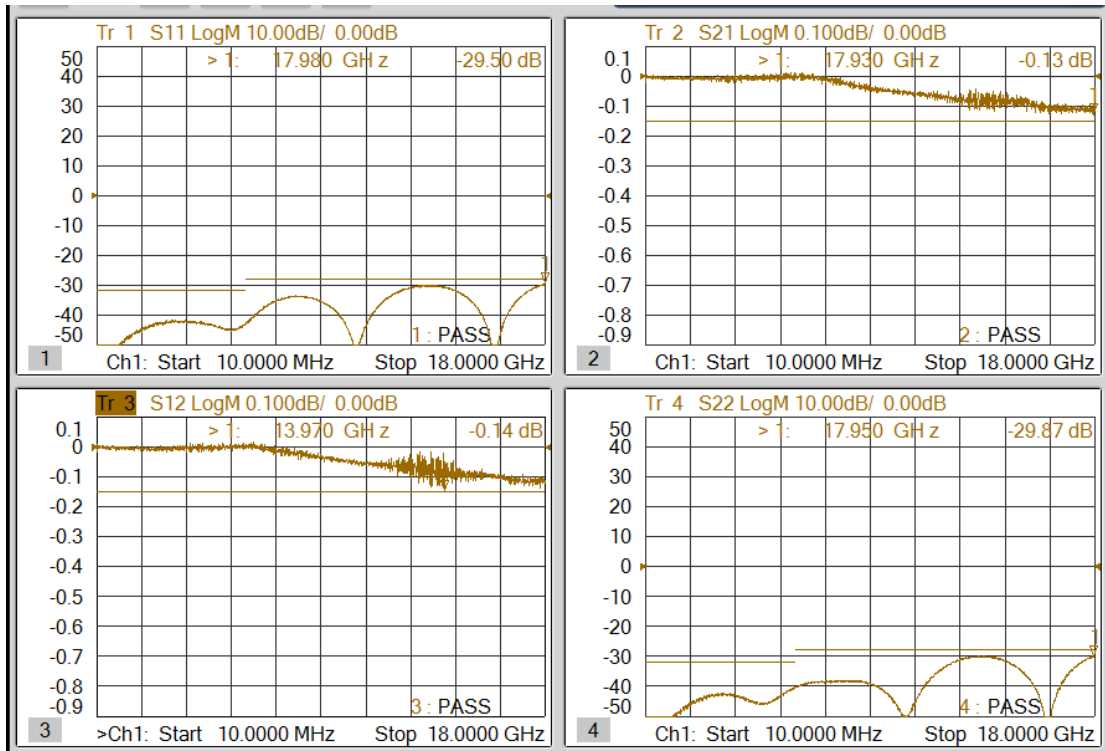
Parts	Material	Plating ( Micro-inch )
Retainer Ring	Beryllium Copper	Tin-Zinc-Copper-Alloy 100 Over Copper 50
Gasket	Silicone	
Contact Pin	Beryllium Copper	Gold 4 Over Nickel-Phosphorus Alloy 80 Over Copper 20
Insulator	Teflon	
Body	Stainless Steel	Passivated
Coupling Nut	Stainless Steel	Passivated
Cap	PVC	

This part number complies with RoHS.

Notice: JYEBAO reserves the right to make modifications deemed appropriate.

# TH-SMA-MF-18G

## Thru male-female insertion & return loss



Thru male-female electrical length: 29.3mm