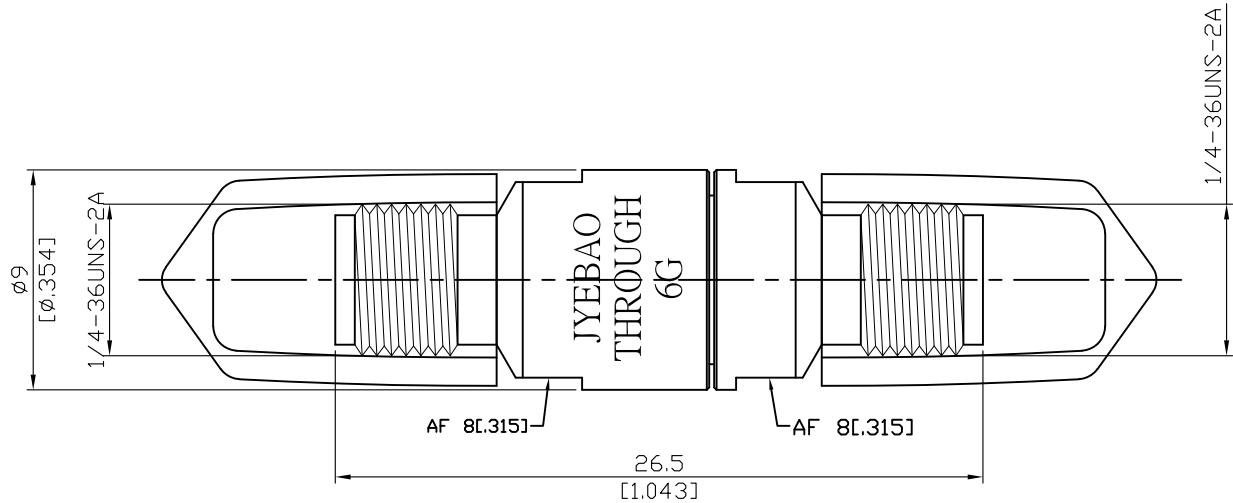


TH-SMA-FF-6G

SMA Jack to SMA Jack Phase Matched Adaptor
6GHz 32dB

50Ω



THROUGH ADAPTOR	
FREQUENCY RANGE	DC-6GHz
IMPEDANCE	50Ω
INSERTION LOSS	≤ 0.15dB
ELECTRICAL LENGTH (mm)	29.3±0.12
RETURN LOSS	DC-6GHz ≥ 32dB

Notes:

1. Temperature range for optimal results: +20 °C to +26 °C
2. Storage temperature range: -20 °C to +75°C
3. When not in use put on cap to keep connector clean
4. Return loss test results shipped along with goods (example below)

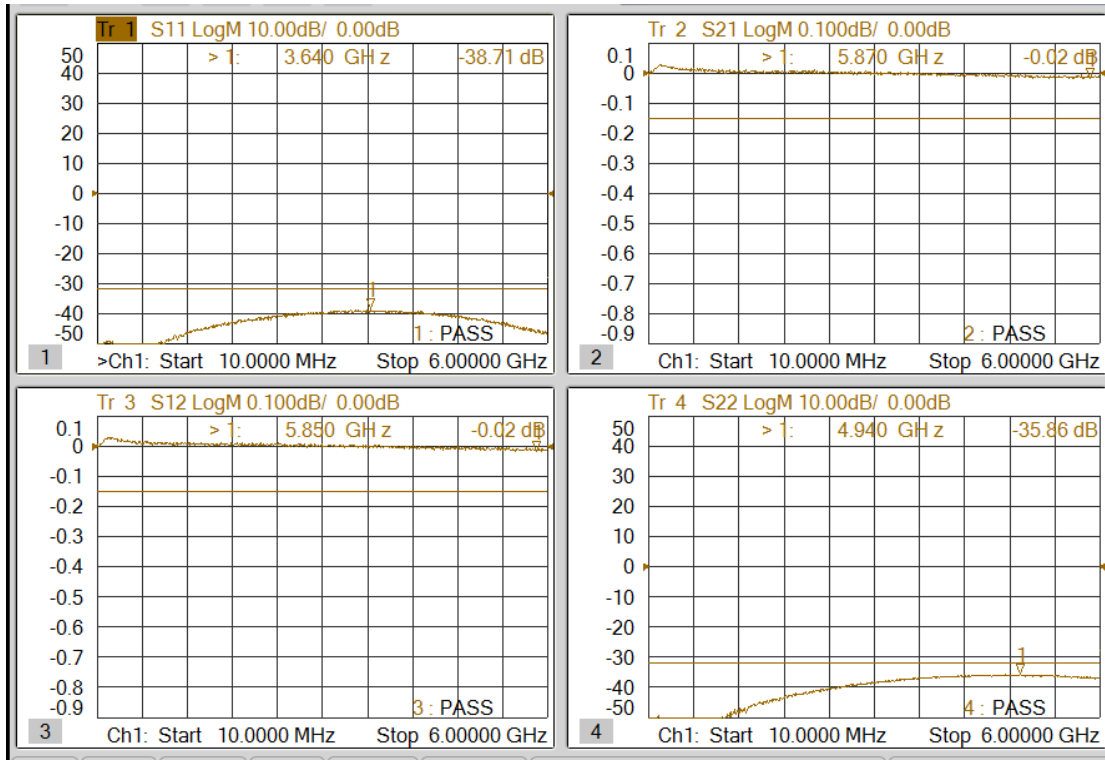
Parts	Material	Plating (Micro-inch)
Contact Pin	Beryllium Copper	Gold 4 Over Nickel-Phosphorus Alloy 80 Over Copper 20
Insulator	Teflon	
Body	Stainless Steel	Passivated
Cap	PVC	

This part number complies with RoHS.

Notice: JYEBAO reserves the right to make modifications deemed appropriate.

TH-SMA-FF-6G

Thru female-female insertion & return loss



Thru female-female electrical length: 29.3mm