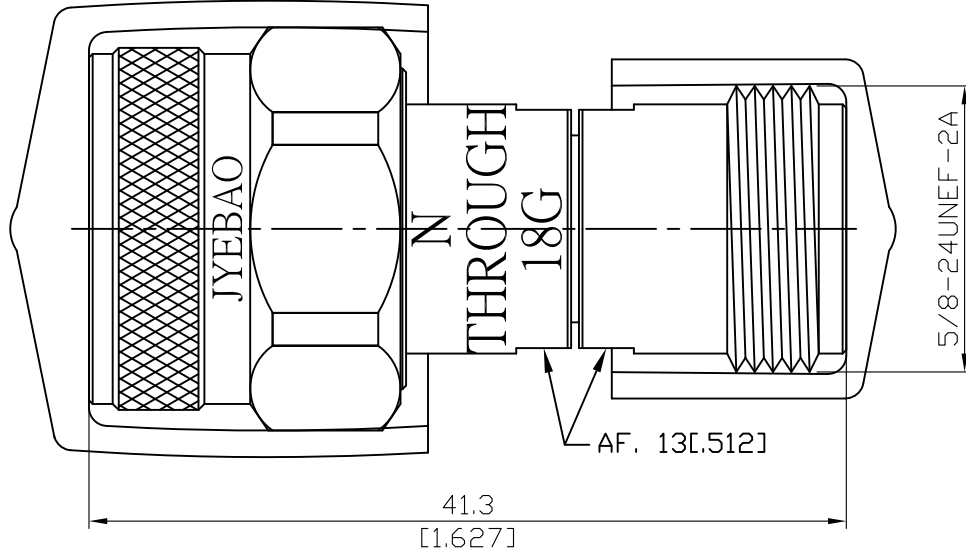


TH-N-MF-50-18G

N Plug to N Jack Phase Matched Adaptor  
18GHz 30dB

50Ω



THROUGH ADAPTOR		
FREQUENCY RANGE	DC-18GHz	
IMPEDANCE	50Ω	
INSERTION LOSS	≤ 0.2dB	
ELECTRICAL LENGTH (mm)	43.70±0.12	
RETURN LOSS	DC-6GHz	≥ 36dB
	6-18GHz	≥ 30dB

Notes:

1. Temperature range for optimal results: +20 °C to +26 °C
2. Storage temperature range: -20 °C to +75°C
3. When not in use put on cap to keep connector clean
4. Return loss test results shipped along with goods

Parts	Material	Plating ( Micro-inch )
Retainer Ring	Beryllium Copper	Tin-Zinc-Copper-Alloy 100 Over Copper 50
Gasket	Silicone	
Contact Pin	Beryllium Copper	Gold 4 Over Nickel-Phosphorus Alloy 80 Over Copper 20
Insulator	PPO	
Body	Stainless Steel	Passivated
Coupling Nut	Stainless Steel	Passivated
Cap	PVC	

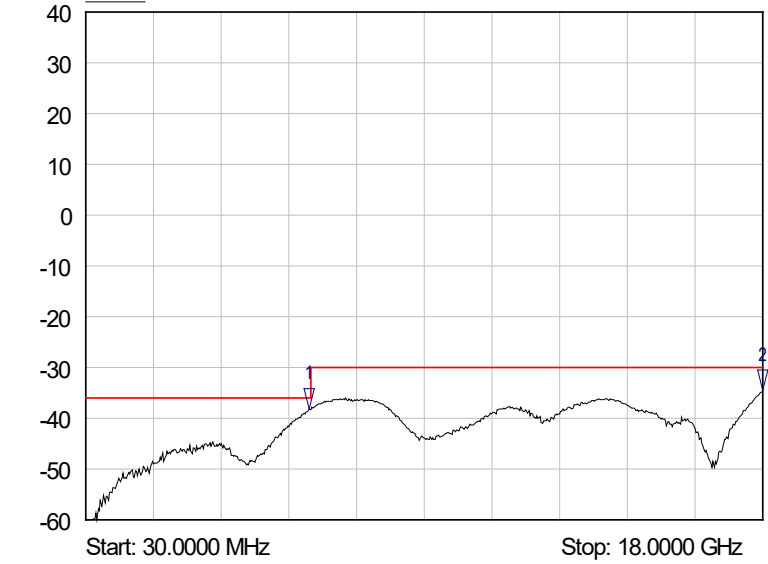
This part number complies with RoHS.

Notice: JYEBAO reserves the right to make modifications deemed appropriate.

# TH-N-MF-50-18G

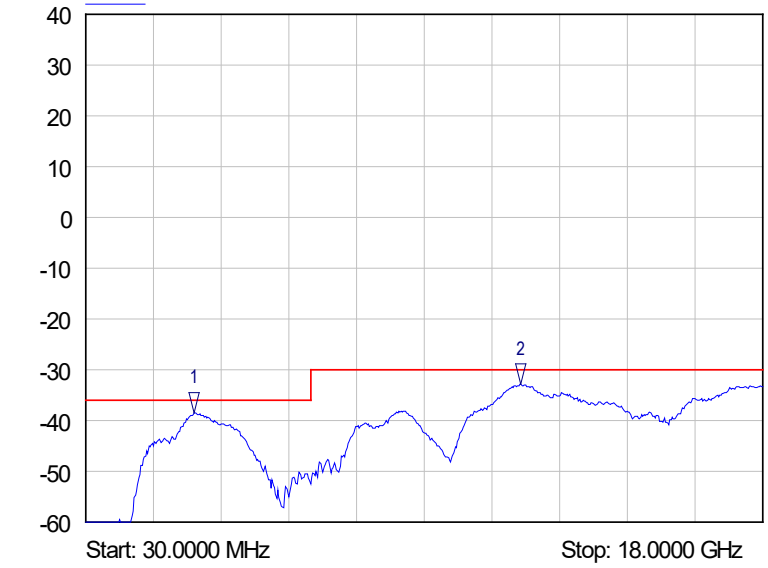
## Thru male-female insertion & return loss

SoftPlot Measurement Presentation  
S11



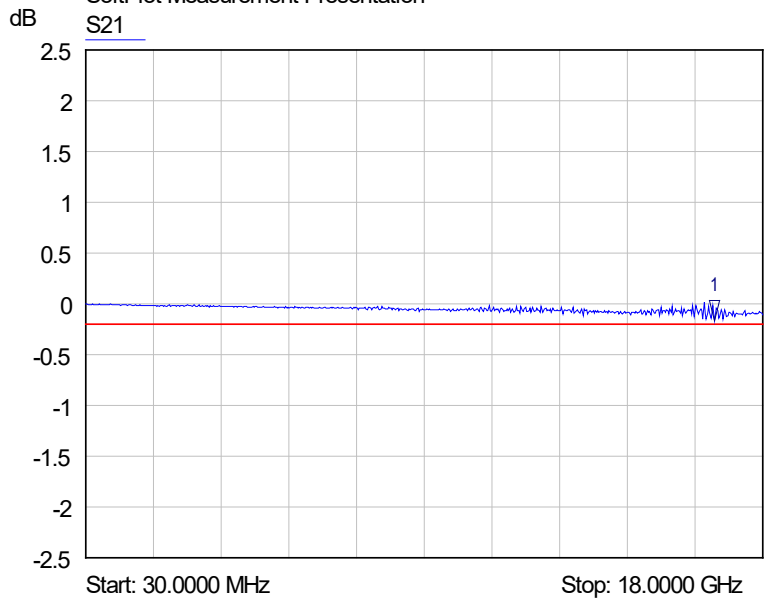
- 1 S11  
▽ 5.9700 GHz  
-38.18 dB
- 2 S11  
▽ 18.0000 GHz  
-34.46 dB

SoftPlot Measurement Presentation  
S22



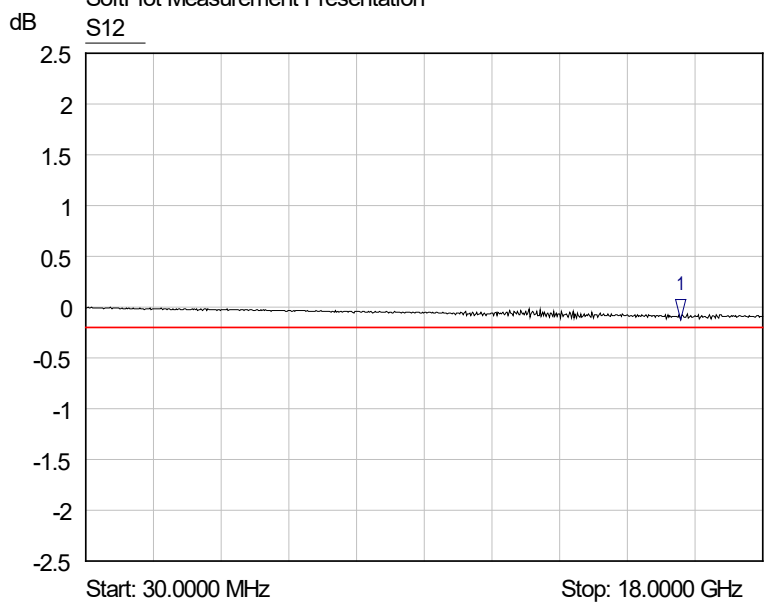
- 1 S22  
▽ 2.9100 GHz  
-38.48 dB
- 2 S22  
▽ 11.5800 GHz  
-32.84 dB

SoftPlot Measurement Presentation  
S21



1 S21  
▽ 16.7100 GHz  
-0.17 dB

SoftPlot Measurement Presentation  
S12



1 S12  
▽ 15.8100 GHz  
-0.13 dB

**Thru male-female electrical length: 43.7mm**