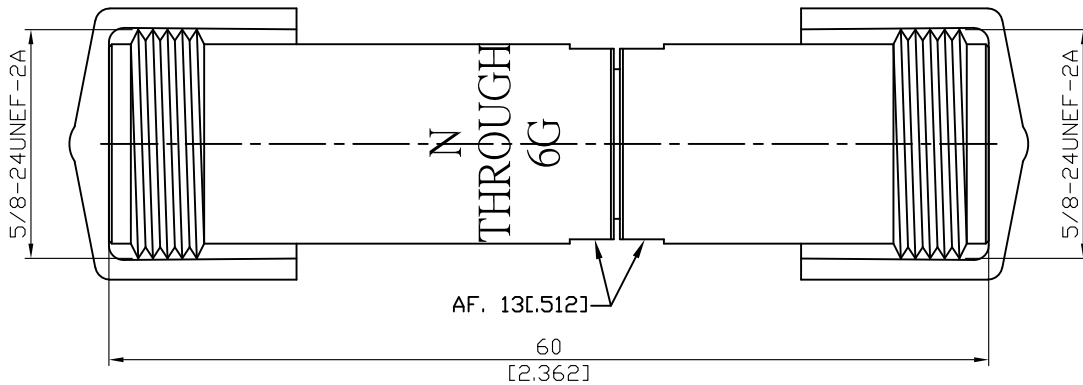


TH-N-FF-50-6G

N Jack to N Jack Phase Matched Adaptor
6GHz 36dB

50Ω



THROUGH ADAPTOR		
FREQUENCY RANGE	DC-6GHz	
IMPEDANCE	50Ω	
INSERTION LOSS	≤ 0.2dB	
ELECTRICAL LENGTH (mm)	43.70±0.12	
RETURN LOSS	DC-6GHz	≥ 36dB

Notes:

1. Temperature range for optimal results: +20 °C to +26 °C
2. Storage temperature range: -20 °C to +75°C
3. When not in use put on cap to keep connector clean
4. Return loss test results shipped along with goods

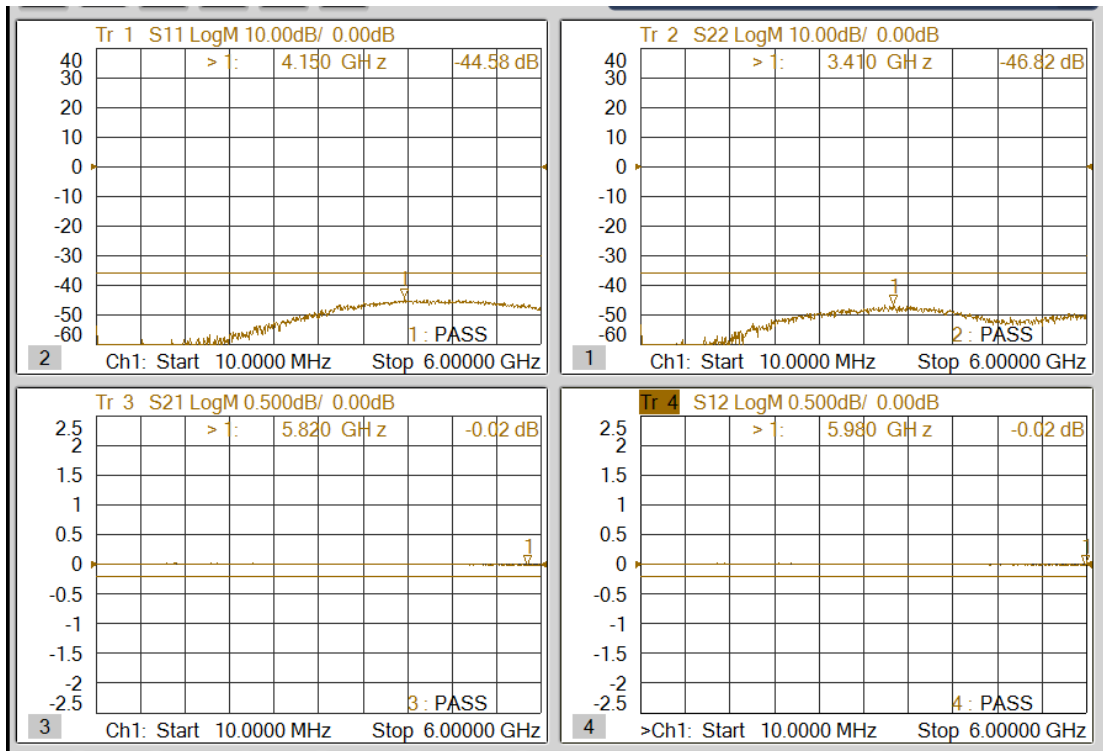
Parts	Material	Plating (Micro-inch)
Contact Pin	Beryllium Copper	Gold 4 Over Nickel-Phosphorus Alloy 80 Over Copper 20
Insulator	PPO	
Body	Stainless Steel	Passivated
Cap	PVC	

This part number complies with RoHS.

Notice: JYEBAO reserves the right to make modifications deemed appropriate.

TH-N-FF-50-6G

Thru female-female insertion & return loss



Thru female-female electrical length: 43.7mm