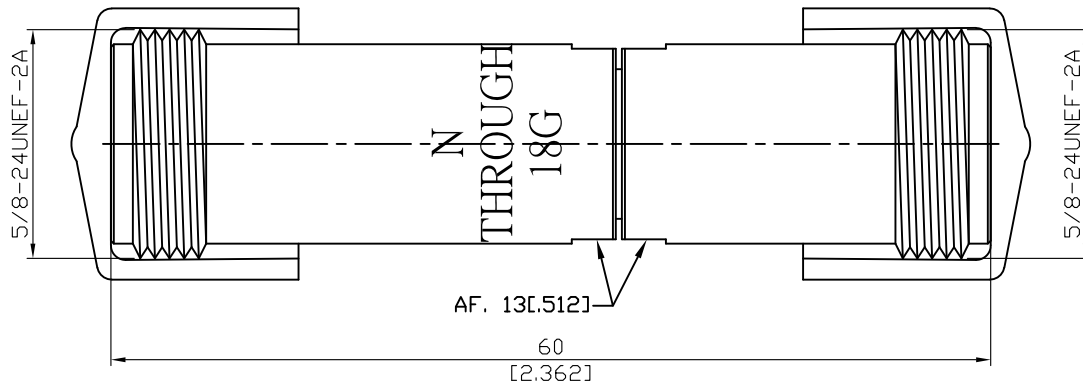


TH-N-FF-50-18G

N Jack to N Jack Phase Matched Adaptor
18GHz 30dB

50Ω



THROUGH ADAPTOR		
FREQUENCY RANGE	DC-18GHz	
IMPEDANCE	50Ω	
INSERTION LOSS	≤ 0.2dB	
ELECTRICAL LENGTH (mm)	43.70±0.12	
RETURN LOSS	DC-6GHz	≥ 36dB
	6-18GHz	≥ 30dB

Notes:

1. Temperature range for optimal results: +20 °C to +26 °C
2. Storage temperature range: -20 °C to +75°C
3. When not in use put on cap to keep connector clean
4. Return loss test results shipped along with goods

Parts	Material	Plating (Micro-inch)
Contact Pin	Beryllium Copper	Gold 4 Over Nickel-Phosphorus Alloy 80 Over Copper 20
Insulator	PPO	
Body	Stainless Steel	Passivated
Cap	PVC	

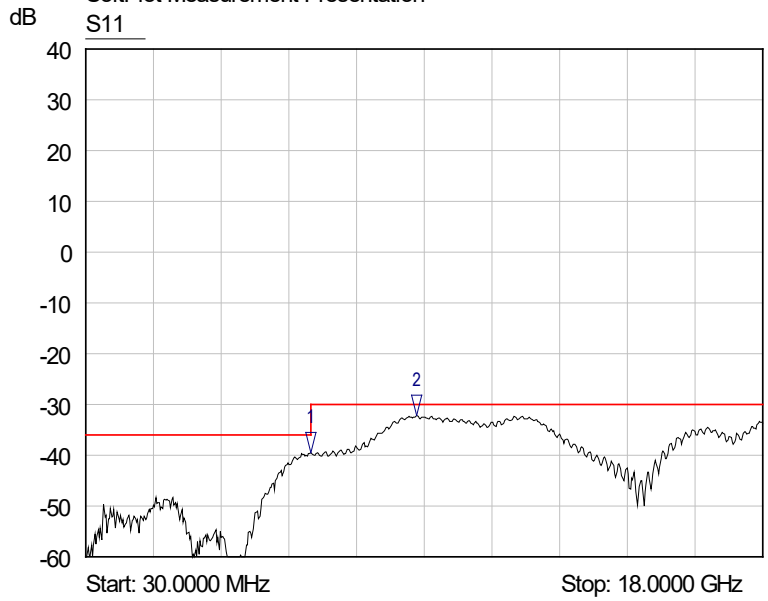
This part number complies with RoHS.

Notice: JYEBAO reserves the right to make modifications deemed appropriate.

TH-N-FF-50-18G

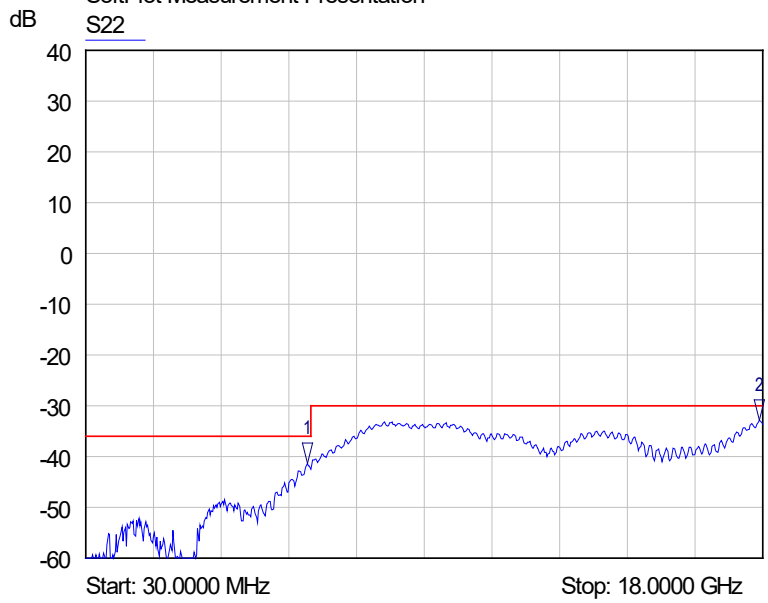
Thru female-female insertion & return loss

SoftPlot Measurement Presentation
S11



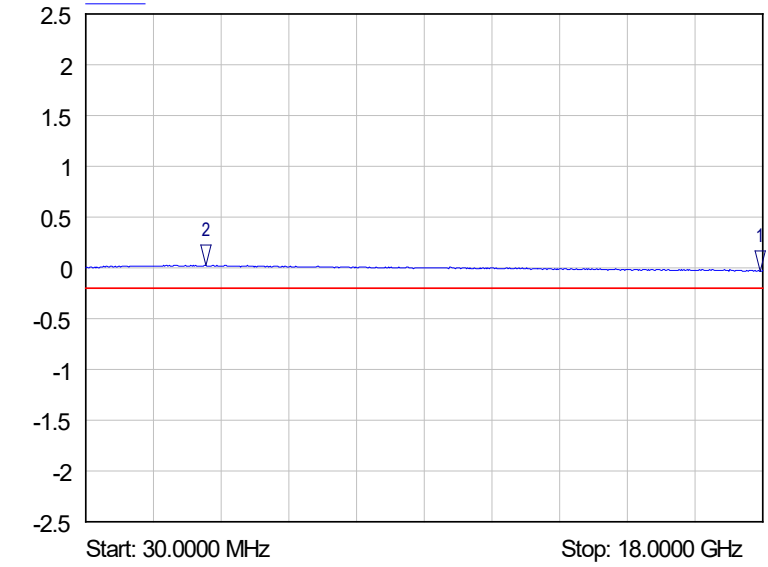
- 1 S11
- ▽ 6.0000 GHz
-39.50 dB
- 2 S11
- ▽ 8.8200 GHz
-32.16 dB

SoftPlot Measurement Presentation
S22



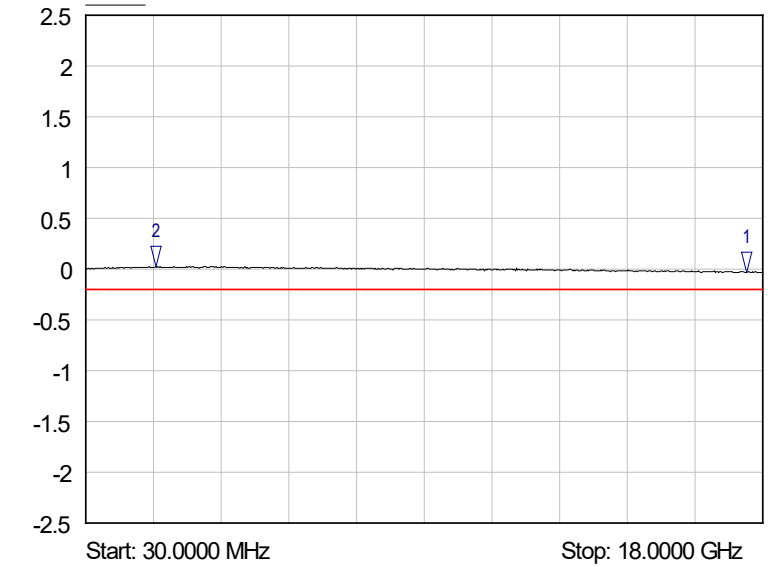
- 1 S22
- ▽ 5.9100 GHz
-41.41 dB
- 2 S22
- ▽ 17.9100 GHz
-32.90 dB

SoftPlot Measurement Presentation
S21



- 1 S21
▽ 17.9400 GHz
-0.03 dB
- 2 S21
▽ 3.2100 GHz
0.02 dB

SoftPlot Measurement Presentation
S12



- 1 S12
▽ 17.5800 GHz
-0.04 dB
- 2 S12
▽ 1.8900 GHz
0.02 dB

Thru female-female electrical length: 43.7mm