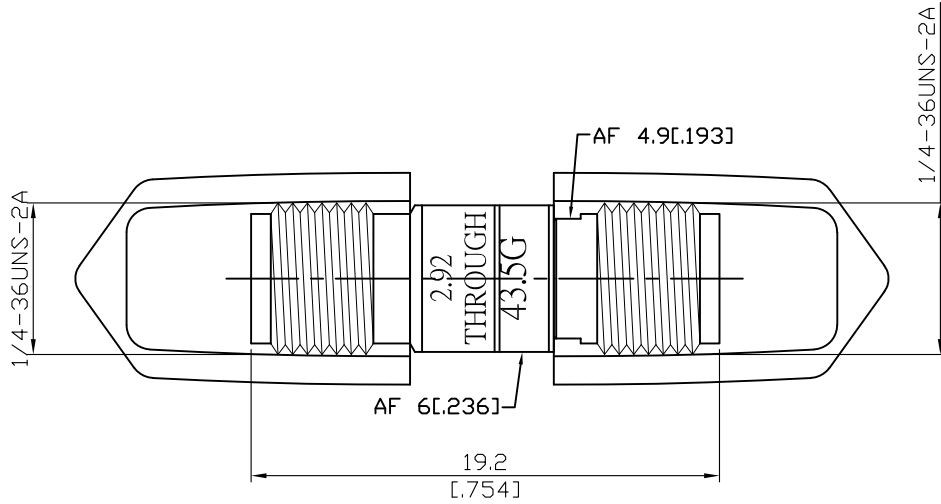


TH-2.92-FF-43.5G

2.92mm Jack to 2.92mm Jack Phase Matched Adaptor
43.5GHz 25dB

50Ω



THROUGH ADAPTOR		
FREQUENCY RANGE	DC-43.5GHz	
IMPEDANCE	50Ω	
INSERTION LOSS	≤ 0.2dB	
ELECTRICAL LENGTH	16.3±0.12mm	
RETURN LOSS	DC-6GHz	≥ 32dB
	6-26.5GHz	≥ 30dB
	26.5-43.5GHz	≥ 25dB

Notes:

1. Temperature range for optimal results: +20 °C to +26 °C
2. Storage temperature range: -20 °C to +75 °C
3. When not in use put on cap to keep connector clean
4. Return loss test results shipped along with goods (example below)

Parts	Material	Plating (Micro-inch)
Contact Pin	Beryllium Copper	Gold 4 Over Nickel-Phosphorus Alloy 80 Over Copper 20
Insulator	PPO	
Ferrule	Stainless Steel	Passivated
Body	Stainless Steel	Passivated
Cap	PVC	

--	--

This part number complies with RoHS.

Notice: JYEBAO reserves the right to make modifications deemed appropriate.

Test equipment

MS4647B NETWORK ANALYZER

Return Loss

test result

TH-2.92-FF-43.5G

