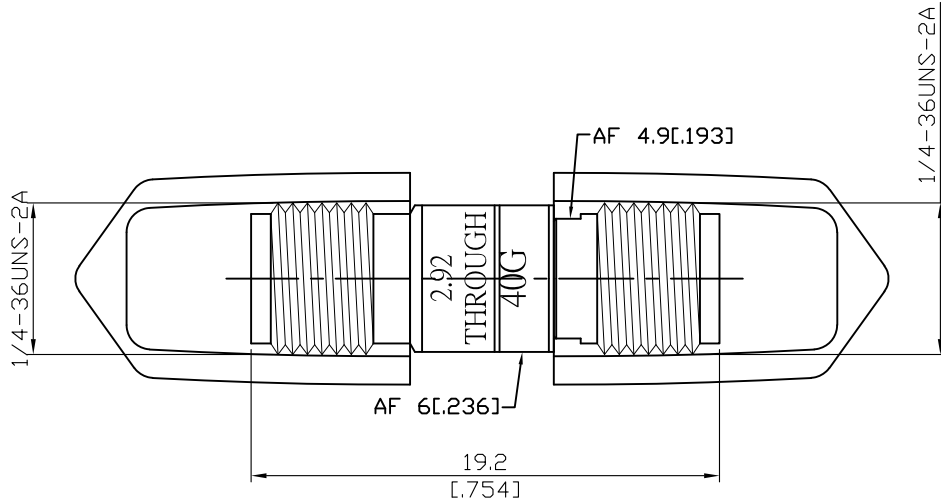


TH-2.92-FF-40G

2.92mm Jack to 2.92mm Jack Phase Matched Adaptor
40GHz 25dB

50Ω



Notes:

1. Temperature range for optimal results: +20 °C to +26 °C
2. Storage temperature range: -20 °C to +75 °C
3. When not in use put on cap to keep connector clean
4. Return loss test results shipped along with goods (example below)

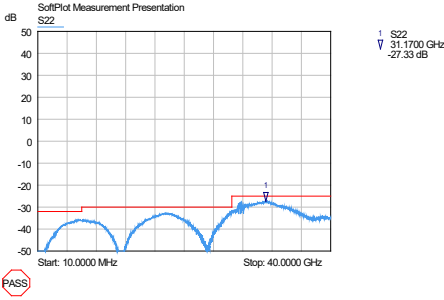
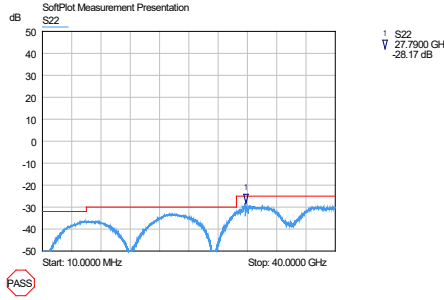
Through Adaptor		
Frequency Range	DC-40Ghz	
Impedance	50Ω	
Insertion Loss	≤0.2dB	
Electrical Length	16.3+/-0.12mm	
Return Loss	DC-6GHz	≥32dB
	6-26.5GHz	≥30dB
	26.5-40GHz	≥25dB

Parts	Material	Plating (Micro-inch)
Contact Pin	Beryllium Copper	Gold 4 Over Nickel-Phosphorus Alloy 80 Over Copper 20
Insulator	PPO	
Ferrule	Stainless Steel	Passivated
Body	Stainless Steel	Passivated
Cap	PVC	

--	--

This part number complies with RoHS.

Notice: JYEBAO reserves the right to make modifications deemed appropriate.

Test equipment	MS4647B NETWORK ANALYZER	
Return Loss	Test result	
<p>TH-2.92-FF-40G</p> <p>Thru female to female</p>	 <p>SoftPlot Measurement Presentation S22</p> <p>dB</p> <p>Start: 10.0000 MHz Stop: 40.0000 GHz</p> <p>↓ S22 31.1700 GHz -27.33 dB</p>	 <p>SoftPlot Measurement Presentation S22</p> <p>dB</p> <p>Start: 10.0000 MHz Stop: 40.0000 GHz</p> <p>↓ S22 27.7900 GHz -28.17 dB</p>