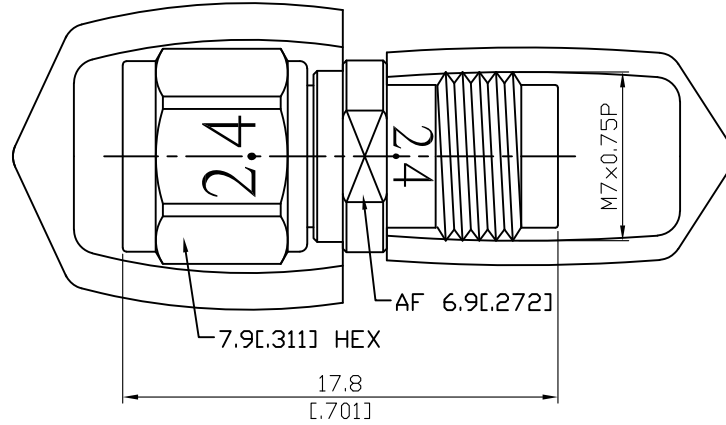


TH-2.4-MF-50G	2.4mm Plug To 2.4mm Jack Phase Matched Adaptor 50GHz 23dB	50Ω
---------------	--	-----



THROUGH ADAPTOR		
FREQUENCY RANGE	DC-50GHz	
IMPEDANCE	50Ω	
INSERTION LOSS	≤ 0.30dB	
ELECTRICAL LENGTH (mm)	13.0±0.12	
RETURN LOSS	DC-4GHz	≥ 30dB
	4-26.5GHz	≥ 26dB
	26.5-50GHz	≥ 23dB

Notes:

1. Temperature range for optimal results: +20 °C to +26 °C
2. Storage temperature range: -20 °C to +75°C
3. When not in use put on cap to keep connector clean
4. Return loss test results shipped along with goods

Parts	Material	Plating (Micro-inch)
Gasket	Silicone	
Contact Pin	Beryllium Copper	Gold 4 Over Nickel-Phosphorus Alloy 80 Over Copper 20
Insulator	PPO	
Body	Stainless Steel	Passivated
Coupling Nut	Stainless Steel	Passivated
Cap	PVC	

--	--

This part number complies with RoHS.

Notice: JYEBAO reserves the right to make modifications deemed appropriate.