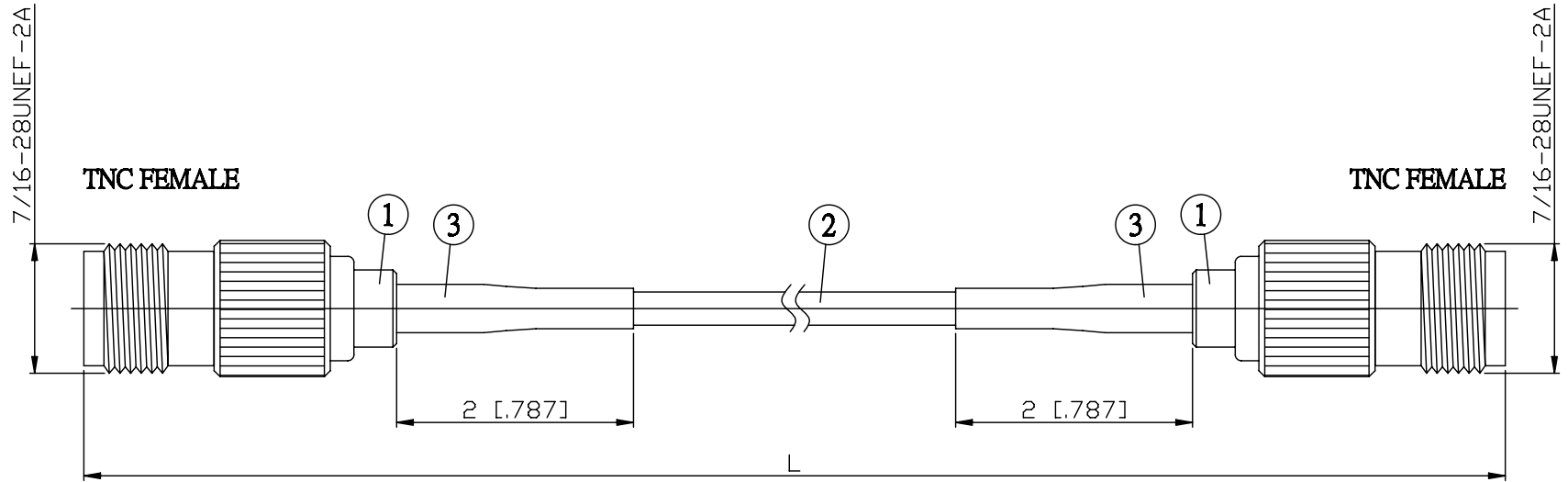


NO.	COMPONENTS	IMPEDANCE
1	TNC FEMALE	50 OHM
2	RG174	50 OHM
3	HEAT SHRINKING TUBE	



JYE BAO P/N	L CM (INCH)
T80T80-174-15	15 (5.906)
T80T80-174-30	30 (11.811)
T80T80-174-50	50 (19.685)
T80T80-174-100	100 (39.370)
T80T80-174-150	150 (59.055)
T80T80-174-200	200 (78.740)
T80T80-174-XXX	CUSTOM LENGTH IN CM

LENGTH TOLERANCE
IS $\pm 1.5\%$ OR $\pm 10\text{MM}$,
WHICHEVER IS
GREATER.

JYE BAO CO., LTD.
TAIPEI TAIWAN

DESCRIPTION

CABLE ASSEMBLY TNC JACK TO TNC JACK

JYE BAO DRAWING NO.

T80T80-174-XXX