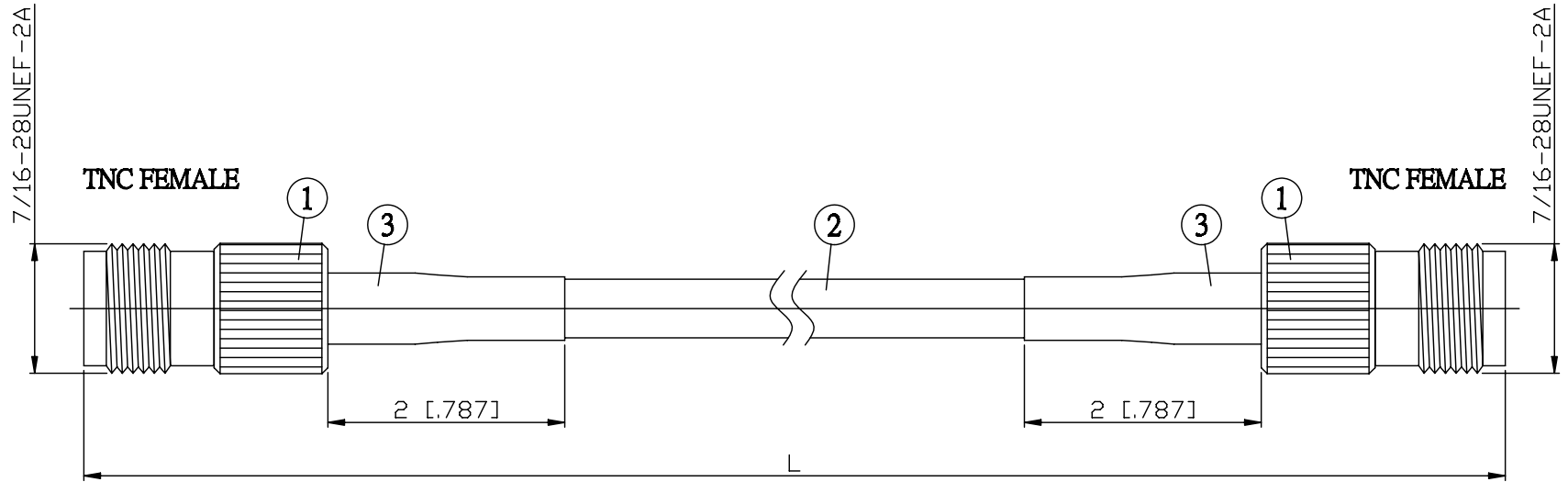


| NO. | COMPONENTS | IMPEDANCE |
|-----|---------------------|-----------|
| 1 | TNC FEMALE | 50 OHM |
| 2 | RG142 | 50 OHM |
| 3 | HEAT SHRINKING TUBE | |



| JYE BAO P/N | L CM (INCH) |
|----------------|------------------------|
| T80T80-142-15 | 15 (5.906) |
| T80T80-142-30 | 30 (11.811) |
| T80T80-142-50 | 50 (19.685) |
| T80T80-142-100 | 100 (39.370) |
| T80T80-142-150 | 150 (59.055) |
| T80T80-142-200 | 200 (78.740) |
| T80T80-142-XXX | CUSTOM LENGTH IN CM |

| | |
|---|--|
| LENGTH TOLERANCE IS $\pm 1.5\%$ OR $\pm 10\text{MM}$, WHICHEVER IS GREATER. | JYE BAO CO., LTD. TAIPEI TAIWAN |
| | DESCRIPTION CABLE ASSEMBLY TNC JACK TO TNC JACK |
| | JYE BAO DRAWING NO. T80T80-142-XXX |