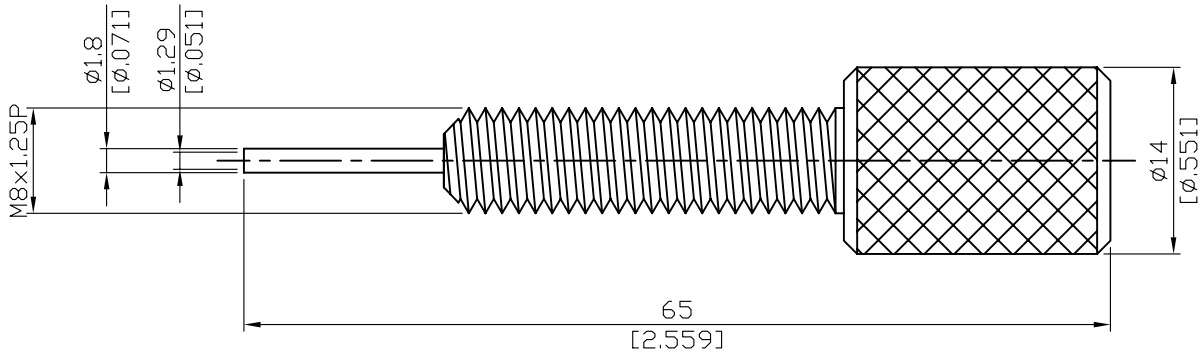


ST-016	Locator Tool (ID $\phi$ 1.29mm & OD $\phi$ 1.8mm) Used With Soldering Fixture ST-008	50 $\Omega$
--------	---	-------------



Parts	Material	Plating ( Micro-inch )
	Stainless Steel	Passivated

--	--

This part number complies with RoHS.  
 Notice: JYEBAO reserves the right to make modifications demand appropriate.