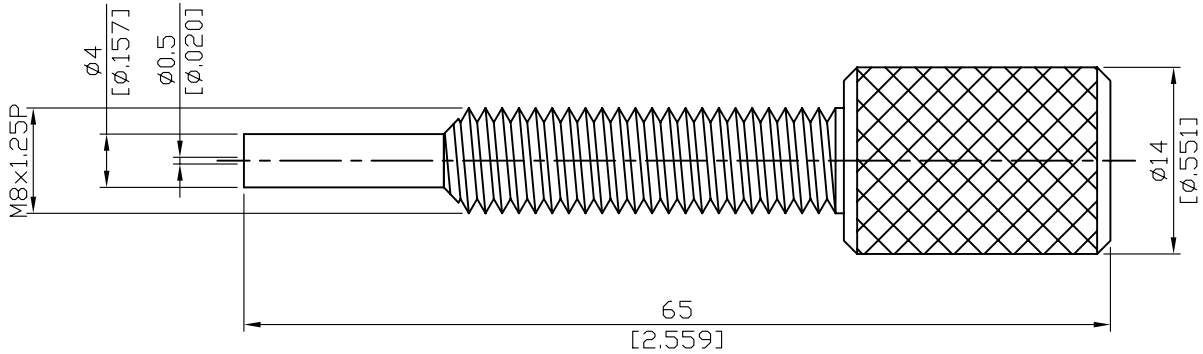


| | | |
|--------|--|-------------|
| ST-013 | Locator Tool (ID ϕ 0.5mm & OD ϕ 4mm) Used With Soldering Fixture ST-008 | 50 Ω |
|--------|--|-------------|



| Parts | Material | Plating (Micro-inch) |
|-------|-----------------|------------------------|
| | Stainless Steel | Passivated |

| | |
|--|--|
| | |
|--|--|

This part number complies with RoHS.

Notice: JYEBAO reserves the right to make modifications demand appropriate.