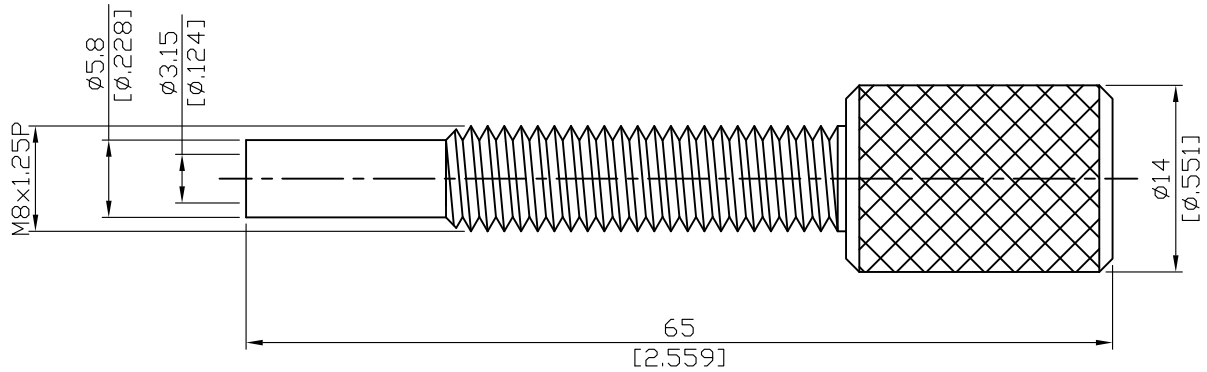


ST-012A	Locator Tool (ID $\Phi 3.15\text{mm}$ & OD $\Phi 5.8\text{mm}$ ) Used With Soldering Fixture ST-008
---------	--



Parts	Material	Plating ( Micro-inch )
	Stainless Steel	Passivated

This part number complies with RoHS.

Notice: JYEBAO reserves the right to make modifications deemed appropriate.