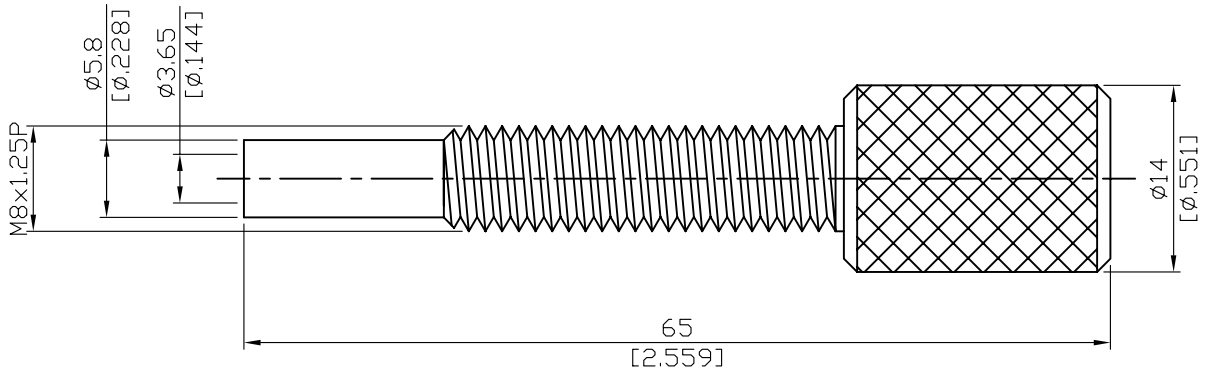


ST-012

Locator Tool (ID $\Phi 3.65\text{mm}$ & OD $\Phi 5.8\text{mm}$)
Used With Soldering Fixture ST-008



Parts	Material	Plating (Micro-inch)
	Stainless Steel	Passivated

This part number complies with RoHS.

Notice: JYEBAO reserves the right to make modifications demand appropriate.