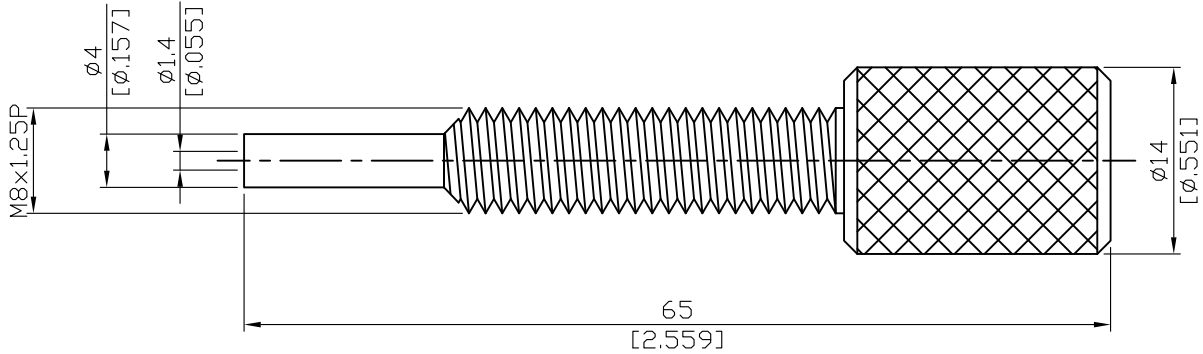


|        |  |
|--------|--|
| ST-011 | Locator Tool (ID $\Phi$ 1.4mm & OD $\Phi$ 4mm)<br>Used With Soldering Fixture ST-008 |
|--------|--|



| Parts | Material        | Plating ( Micro-inch ) |
|-------|-----------------|------------------------|
|       | Stainless Steel | Passivated             |

This part number complies with RoHS.

Notice: JYEBAO reserves the right to make modifications deemed appropriate.