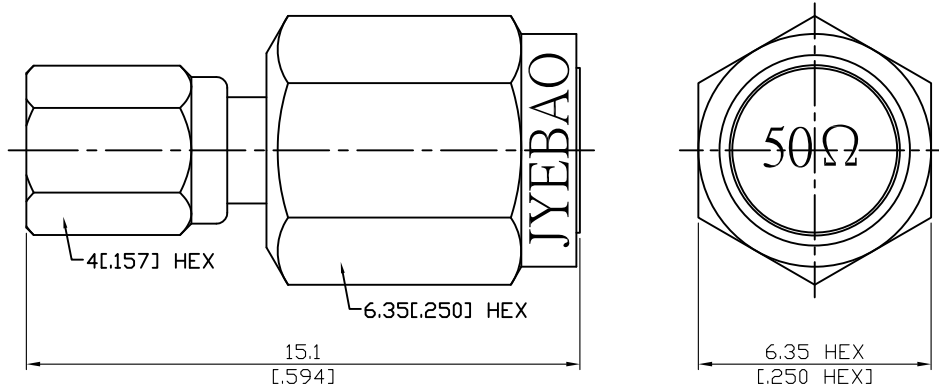


SSMC3900-0011

2 Watt 50ohm SSMC Plug Termination
11GHz VSWR 1.2

50Ω



2 Watt average power from -55°C to +70°C linearly derated to 1 watt at 165°C.

Parts	Material	Plating (Micro-inch)
Coupling Nut	Brass	Gold 4 Over Nickel-Phosphorus Alloy 80 Over Copper 20
Body	Brass	Gold 4 Over Nickel-Phosphorus Alloy 80 Over Copper 20
Insulator	Teflon	
Contact Pin	Beryllium Copper	Gold 4 Over Nickel-Phosphorus Alloy 80 Over Copper 20

This part number complies with RoHS.

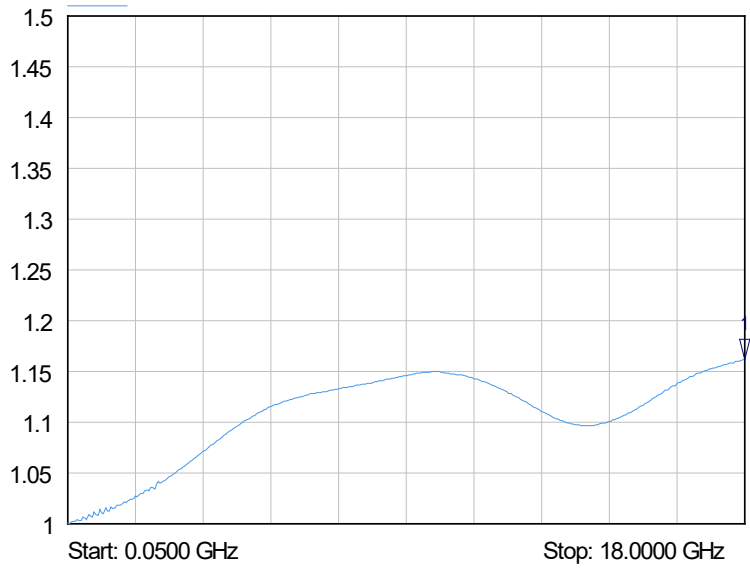
Notice: JYEBAO reserves the right to make modifications deemed appropriate.

SSMC	SSMC3900-0011																						
<table border="0"> <tr> <td colspan="2" data-bbox="167 344 568 389">Electrical Data</td> </tr> <tr> <td data-bbox="167 405 837 439">Impedance</td> <td data-bbox="853 405 1077 439">50Ω</td> </tr> <tr> <td data-bbox="167 454 414 488">Frequency range</td> <td data-bbox="853 454 1045 488">DC to 11GHz</td> </tr> <tr> <td data-bbox="167 504 271 537">VSWR</td> <td data-bbox="853 504 1157 537">≤ 1.2 (DC to 11GHz)</td> </tr> <tr> <td data-bbox="167 553 359 586">Insertion loss</td> <td data-bbox="853 553 1125 586">≤ 0.1 x √f(GHz)dB</td> </tr> <tr> <td data-bbox="167 602 462 636">Insulation resistance</td> <td data-bbox="853 602 1029 636">≥ 10000MΩ</td> </tr> <tr> <td data-bbox="167 651 670 685">Contact resistance inner conductor</td> <td data-bbox="853 651 957 685">≤ 5mΩ</td> </tr> <tr> <td data-bbox="167 701 670 734">Contact resistance outer conductor</td> <td data-bbox="853 701 981 734">≤ 2.5mΩ</td> </tr> <tr> <td data-bbox="167 750 798 784">Dielectric withstanding voltage (at sea level)</td> <td data-bbox="853 750 997 784">500 V rms</td> </tr> <tr> <td data-bbox="167 799 598 833">Working voltage (at sea level)</td> <td data-bbox="853 799 997 833">175 V rms</td> </tr> <tr> <td data-bbox="167 848 343 882">RF- leakage</td> <td data-bbox="853 848 1093 882">≥ 70dB to 1GHz</td> </tr> </table>		Electrical Data		Impedance	50Ω	Frequency range	DC to 11GHz	VSWR	≤ 1.2 (DC to 11GHz)	Insertion loss	≤ 0.1 x √f(GHz)dB	Insulation resistance	≥ 10000MΩ	Contact resistance inner conductor	≤ 5mΩ	Contact resistance outer conductor	≤ 2.5mΩ	Dielectric withstanding voltage (at sea level)	500 V rms	Working voltage (at sea level)	175 V rms	RF- leakage	≥ 70dB to 1GHz
Electrical Data																							
Impedance	50Ω																						
Frequency range	DC to 11GHz																						
VSWR	≤ 1.2 (DC to 11GHz)																						
Insertion loss	≤ 0.1 x √f(GHz)dB																						
Insulation resistance	≥ 10000MΩ																						
Contact resistance inner conductor	≤ 5mΩ																						
Contact resistance outer conductor	≤ 2.5mΩ																						
Dielectric withstanding voltage (at sea level)	500 V rms																						
Working voltage (at sea level)	175 V rms																						
RF- leakage	≥ 70dB to 1GHz																						
<table border="0"> <tr> <td colspan="2" data-bbox="167 943 568 987">Mechanical Data</td> </tr> <tr> <td data-bbox="167 1003 670 1037">Recommended coupling nut torque</td> <td data-bbox="853 1003 1077 1037">1.8 to 2 inch lbs</td> </tr> <tr> <td data-bbox="167 1052 478 1086">Coupling proof torque</td> <td data-bbox="853 1052 1013 1086">2.6 inch lbs</td> </tr> <tr> <td data-bbox="167 1102 566 1135">Coupling nut retention force</td> <td data-bbox="853 1102 997 1135">≥ 22.5 lbs</td> </tr> <tr> <td data-bbox="167 1151 518 1184">Contact captivation-axial</td> <td data-bbox="853 1151 981 1184">≥ 1.8 lbs</td> </tr> <tr> <td data-bbox="167 1200 430 1234">Durability (mating)</td> <td data-bbox="853 1200 941 1234">≥ 500</td> </tr> </table>		Mechanical Data		Recommended coupling nut torque	1.8 to 2 inch lbs	Coupling proof torque	2.6 inch lbs	Coupling nut retention force	≥ 22.5 lbs	Contact captivation-axial	≥ 1.8 lbs	Durability (mating)	≥ 500										
Mechanical Data																							
Recommended coupling nut torque	1.8 to 2 inch lbs																						
Coupling proof torque	2.6 inch lbs																						
Coupling nut retention force	≥ 22.5 lbs																						
Contact captivation-axial	≥ 1.8 lbs																						
Durability (mating)	≥ 500																						
<table border="0"> <tr> <td colspan="2" data-bbox="167 1294 568 1339">Environmental Data</td> </tr> <tr> <td data-bbox="167 1355 446 1388">Temperature range</td> <td data-bbox="853 1355 1093 1388">-65°C to +165°C</td> </tr> <tr> <td data-bbox="167 1404 383 1438">Thermal shock</td> <td data-bbox="853 1404 1420 1438">MIL-STD-202, Method 107, Condition B</td> </tr> <tr> <td data-bbox="167 1453 446 1487">Moisture resistance</td> <td data-bbox="853 1453 1236 1487">MIL-STD-202, Method 106</td> </tr> <tr> <td data-bbox="167 1503 311 1536">Corrosion</td> <td data-bbox="853 1503 1420 1536">MIL-STD-202, Method 101, Condition B</td> </tr> <tr> <td data-bbox="167 1552 255 1585">RoHS</td> <td data-bbox="853 1552 997 1585">Compliant</td> </tr> </table>		Environmental Data		Temperature range	-65°C to +165°C	Thermal shock	MIL-STD-202, Method 107, Condition B	Moisture resistance	MIL-STD-202, Method 106	Corrosion	MIL-STD-202, Method 101, Condition B	RoHS	Compliant										
Environmental Data																							
Temperature range	-65°C to +165°C																						
Thermal shock	MIL-STD-202, Method 107, Condition B																						
Moisture resistance	MIL-STD-202, Method 106																						
Corrosion	MIL-STD-202, Method 101, Condition B																						
RoHS	Compliant																						
<table border="0"> <tr> <td colspan="2" data-bbox="167 1646 568 1691">Tooling</td> </tr> </table>		Tooling																					
Tooling																							

Notice: JYEBAO reserves the right to make modifications deemed appropriate.

SSMC3900-0011

SoftPlot Measurement Presentation
VSWR S22



1 S22
▽ 18.0000 GHz
1.16 VSWR