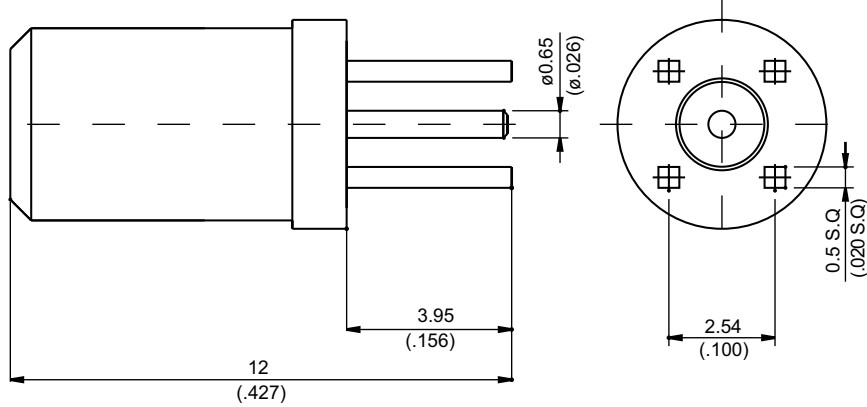
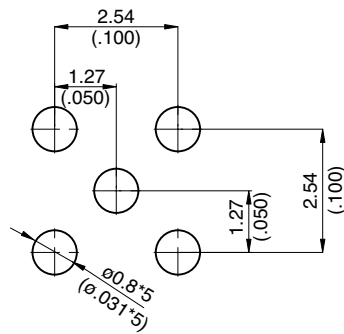


SSMB3400-0000

**SSMB Plug PCB Mount**  
**With Round Contact (Φ0.65); 4GHz VSWR 1.25<sup>50Ω</sup>**



MOUNTING HOLE :



Parts	Material	Plating(Micro-inch)
Coupling Nut	Brass	Gold 4 Over Nickel-Phosphorus Alloy 80 Over Copper 20
Renber Ring	Beryllium Copper	Gold 4 Over Nickel-Phosphorus Alloy 80 Over Copper 20
Contact Pin	Beryllium Copper	Gold 4 Over Nickel-Phosphorus Alloy 80 Over Copper 20
Insulator	Teflon	
Body	Brass	Gold 4 Over Nickel-Phosphorus Alloy 80 Over Copper 20

Weight:

This Part number complies with RoHS.

Notice: JYEBAO reserves the right to make modifications deemed appropriate.

SSMB	SSMB3400-0000																				
<div data-bbox="113 300 512 349" style="border: 1px solid black; padding: 2px;">Interface</div> <p>MIL-STD-348B</p>																					
<div data-bbox="113 461 512 510" style="border: 1px solid black; padding: 2px;">Electrical Data</div> <table border="0" style="width: 100%;"> <tr> <td style="width: 50%;">Impedance</td> <td style="width: 50%;">50Ω</td> </tr> <tr> <td>Frequency range</td> <td>DC to 4GHz</td> </tr> <tr> <td>VSWR</td> <td>≤ 1.25 (DC to 4GHz)</td> </tr> <tr> <td>Insertion loss</td> <td>≤ 0.1dB (DC to 1GHz)</td> </tr> <tr> <td>Insulation resistance</td> <td>≥ 5000MΩ</td> </tr> <tr> <td>Contact resistance inner conductor</td> <td>≤ 5mΩ</td> </tr> <tr> <td>Contact resistance outer conductor</td> <td>≤ 2.5mΩ</td> </tr> <tr> <td>Dielectric withstanding voltage (at sea level)</td> <td>500 V rms</td> </tr> <tr> <td>Working Voltage (at sea level)</td> <td>275 V rms</td> </tr> <tr> <td>RF- leakage</td> <td>≥ 40dB to 1GHz</td> </tr> </table>		Impedance	50Ω	Frequency range	DC to 4GHz	VSWR	≤ 1.25 (DC to 4GHz)	Insertion loss	≤ 0.1dB (DC to 1GHz)	Insulation resistance	≥ 5000MΩ	Contact resistance inner conductor	≤ 5mΩ	Contact resistance outer conductor	≤ 2.5mΩ	Dielectric withstanding voltage (at sea level)	500 V rms	Working Voltage (at sea level)	275 V rms	RF- leakage	≥ 40dB to 1GHz
Impedance	50Ω																				
Frequency range	DC to 4GHz																				
VSWR	≤ 1.25 (DC to 4GHz)																				
Insertion loss	≤ 0.1dB (DC to 1GHz)																				
Insulation resistance	≥ 5000MΩ																				
Contact resistance inner conductor	≤ 5mΩ																				
Contact resistance outer conductor	≤ 2.5mΩ																				
Dielectric withstanding voltage (at sea level)	500 V rms																				
Working Voltage (at sea level)	275 V rms																				
RF- leakage	≥ 40dB to 1GHz																				
<div data-bbox="113 1099 512 1149" style="border: 1px solid black; padding: 2px;">Mechanical Data</div> <table border="0" style="width: 100%;"> <tr> <td style="width: 50%;">Engagement force</td> <td style="width: 50%;">1.8 to 6.1 lbs</td> </tr> <tr> <td>Disengagement force</td> <td>1.8 to 6.1 lbs</td> </tr> <tr> <td>Contact captivation-axial</td> <td>≥ 1.8 lbs</td> </tr> <tr> <td>Durability (mating)</td> <td>≥ 500</td> </tr> </table>		Engagement force	1.8 to 6.1 lbs	Disengagement force	1.8 to 6.1 lbs	Contact captivation-axial	≥ 1.8 lbs	Durability (mating)	≥ 500												
Engagement force	1.8 to 6.1 lbs																				
Disengagement force	1.8 to 6.1 lbs																				
Contact captivation-axial	≥ 1.8 lbs																				
Durability (mating)	≥ 500																				
<div data-bbox="113 1451 512 1500" style="border: 1px solid black; padding: 2px;">Environmental Data</div> <table border="0" style="width: 100%;"> <tr> <td style="width: 50%;">Temperature range</td> <td style="width: 50%;">-65°C to +165°C</td> </tr> <tr> <td>Thermal shock</td> <td>MIL-STD-202, Method 107, Condition A</td> </tr> <tr> <td>Moisture resistance</td> <td>MIL-STD-202, Method 106</td> </tr> <tr> <td>Corrosion</td> <td>MIL-STD-202, Method 101, Condition B</td> </tr> <tr> <td>RoHS</td> <td>Compliant</td> </tr> </table>		Temperature range	-65°C to +165°C	Thermal shock	MIL-STD-202, Method 107, Condition A	Moisture resistance	MIL-STD-202, Method 106	Corrosion	MIL-STD-202, Method 101, Condition B	RoHS	Compliant										
Temperature range	-65°C to +165°C																				
Thermal shock	MIL-STD-202, Method 107, Condition A																				
Moisture resistance	MIL-STD-202, Method 106																				
Corrosion	MIL-STD-202, Method 101, Condition B																				
RoHS	Compliant																				
<div data-bbox="113 1809 512 1859" style="border: 1px solid black; padding: 2px;">Tooling</div>																					

Notice: JYEBAO reserves the right to make modifications deemed appropriate.

# SSMB3400-0000

S11

