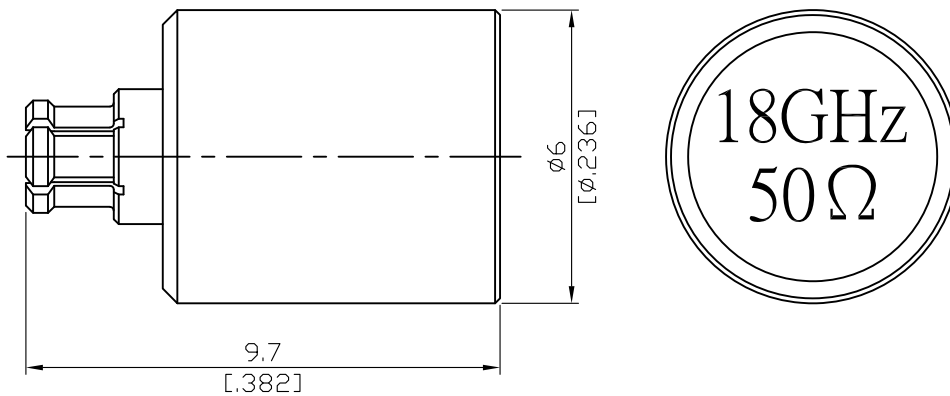


SMPM8900-0018-1.15	SMPM Jack Termination 1W 18GHz VSWR 1.15	50Ω
--------------------	---	-----



1W average power from -40°C to +70°C linearly derated to 0.5W at 165°C

Parts	Material	Plating ( Micro-inch )
Body	Beryllium Copper	Gold 4 Over Nickel-Phosphorus Alloy 80 Over Copper 20
Insulator	PPO	
Contact Pin	Beryllium Copper	Gold 4 Over Nickel-Phosphorus Alloy 80 Over Copper 20
Ferrule	Brass	Gold 4 Over Nickel-Phosphorus Alloy 80 Over Copper 20
Cover	Brass	Gold 4 Over Nickel-Phosphorus Alloy 80 Over Copper 20

--	--

This part number complies with RoHS.

Notice: JYEBAO reserves the right to make modifications deemed appropriate.

SMPM	SMPM8900-0018-1.15																																		
<div style="border: 1px solid black; padding: 2px; margin-bottom: 5px;">Interface</div> MIL-STD-348B																																			
<div style="border: 1px solid black; padding: 2px; margin-bottom: 5px;">Electrical Data</div> <table style="width: 100%; border-collapse: collapse;"> <tr> <td style="width: 50%;">Impedance</td> <td colspan="3">50Ω</td> </tr> <tr> <td>Frequency range</td> <td colspan="3">DC to 18GHz</td> </tr> <tr> <td>VSWR</td> <td colspan="3">≤ 1.15 (DC to 18GHz)</td> </tr> <tr> <td>Insertion loss</td> <td colspan="3">≤ 0.1 x √f(GHz) dB</td> </tr> <tr> <td>Insulation resistance</td> <td colspan="3">≥ 5000 MΩ</td> </tr> <tr> <td>Contact resistance inner conductor</td> <td colspan="3">≤ 6mΩ</td> </tr> <tr> <td>Contact resistance outer conductor</td> <td colspan="3">≤ 2mΩ</td> </tr> <tr> <td>Dielectric withstanding voltage (at sea level)</td> <td colspan="3">325</td> </tr> </table>				Impedance	50Ω			Frequency range	DC to 18GHz			VSWR	≤ 1.15 (DC to 18GHz)			Insertion loss	≤ 0.1 x √f(GHz) dB			Insulation resistance	≥ 5000 MΩ			Contact resistance inner conductor	≤ 6mΩ			Contact resistance outer conductor	≤ 2mΩ			Dielectric withstanding voltage (at sea level)	325		
Impedance	50Ω																																		
Frequency range	DC to 18GHz																																		
VSWR	≤ 1.15 (DC to 18GHz)																																		
Insertion loss	≤ 0.1 x √f(GHz) dB																																		
Insulation resistance	≥ 5000 MΩ																																		
Contact resistance inner conductor	≤ 6mΩ																																		
Contact resistance outer conductor	≤ 2mΩ																																		
Dielectric withstanding voltage (at sea level)	325																																		
<div style="border: 1px solid black; padding: 2px; margin-bottom: 5px;">Mechanical Data</div> <table style="width: 100%; border-collapse: collapse;"> <thead> <tr> <th style="width: 50%;"></th> <th style="width: 15%;">Full Detent</th> <th style="width: 15%;">Smooth bore</th> <th style="width: 20%;"></th> </tr> </thead> <tbody> <tr> <td>Engagement force</td> <td>3.5 typical</td> <td>1.5 typical</td> <td>lbs</td> </tr> <tr> <td>Disengagement force</td> <td>5.0 typical</td> <td>1.5 typical</td> <td>lbs</td> </tr> <tr> <td>Durability (mating)</td> <td>≥ 100</td> <td>≥ 1000</td> <td></td> </tr> <tr> <td>Contact pin captivation</td> <td colspan="3" style="text-align: center;">≥ 1.5lbs</td> </tr> </tbody> </table>					Full Detent	Smooth bore		Engagement force	3.5 typical	1.5 typical	lbs	Disengagement force	5.0 typical	1.5 typical	lbs	Durability (mating)	≥ 100	≥ 1000		Contact pin captivation	≥ 1.5lbs														
	Full Detent	Smooth bore																																	
Engagement force	3.5 typical	1.5 typical	lbs																																
Disengagement force	5.0 typical	1.5 typical	lbs																																
Durability (mating)	≥ 100	≥ 1000																																	
Contact pin captivation	≥ 1.5lbs																																		
<div style="border: 1px solid black; padding: 2px; margin-bottom: 5px;">Environmental Data</div> <table style="width: 100%; border-collapse: collapse;"> <tr> <td style="width: 50%;">Temperature range</td> <td colspan="3">-40°C to +105°C</td> </tr> <tr> <td>Thermal shock</td> <td colspan="3">MIL-STD-202, Method 107, Condition B</td> </tr> <tr> <td>Moisture resistance</td> <td colspan="3">MIL-STD-202, Method 106</td> </tr> <tr> <td>Corrosion</td> <td colspan="3">MIL-STD-202, Method 101, Condition B</td> </tr> <tr> <td>RoHS</td> <td colspan="3">Compliant</td> </tr> </table>				Temperature range	-40°C to +105°C			Thermal shock	MIL-STD-202, Method 107, Condition B			Moisture resistance	MIL-STD-202, Method 106			Corrosion	MIL-STD-202, Method 101, Condition B			RoHS	Compliant														
Temperature range	-40°C to +105°C																																		
Thermal shock	MIL-STD-202, Method 107, Condition B																																		
Moisture resistance	MIL-STD-202, Method 106																																		
Corrosion	MIL-STD-202, Method 101, Condition B																																		
RoHS	Compliant																																		
<div style="border: 1px solid black; padding: 2px; margin-bottom: 5px;">Tooling</div>																																			

Notice: JYEBAO reserves the right to make modifications deemed appropriate.

# SMPM8900-0018-1.15

