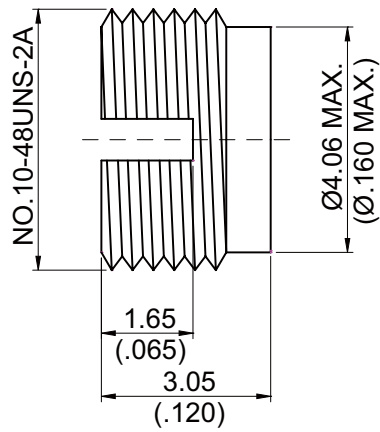


SMP3FFD-14/16

SMP Male Thread-In Shroud No Center Conductor 50Ω



NOTE: Full Detent.

Parts	Material	Plating (Micro-inch)
Body	Stainless Steel	Passivated

Weight:

This part number complies with RoHS.

Notice: JYEBAO reserves the right to make modifications deemed appropriate.