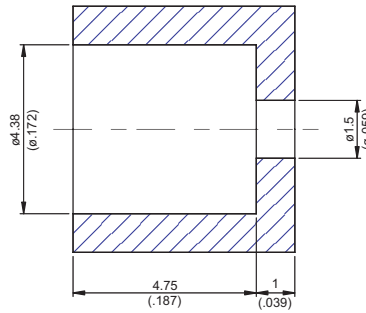
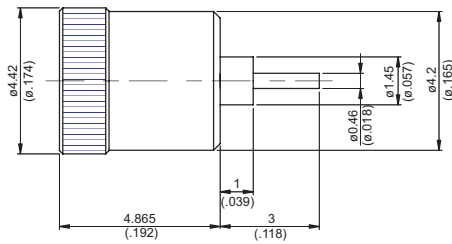


SMP350P-SB48

Press Fit SMP Plug Smooth Bore Bulkhead With Round Contact (Φ0.46;L=2), PTFE L=1; 12GHz VSWR 1.2 50Ω



PANEL CUT OUT

Parts	Material	Plating (Micro-inch)
Center Pin	Brass	Gold 4 Over Nickel-Phosphorus Alloy 80 Over Copper 20
Insulator	Teflon	
Body	Brass	Gold 4 Over Nickel-Phosphorus Alloy 80 Over Copper 20

This part number complies with RoHS.

Notice: JYEBAO reserves the right to make modifications deemed appropriate.

SMP	SMP350P-SB48																											
<div style="border: 1px solid black; padding: 2px;">Interface</div> MIL-STD-348B																												
<div style="border: 1px solid black; padding: 2px;">Electrical Data</div> Impedance Frequency range VSWR Insertion loss Insulation resistance Contact resistance inner conductor Contact resistance outer conductor Dielectric withstanding voltage (at sea level) Working Voltage (at sea level) RF-Leakage	50Ω DC to 12GHz $\leq 1.2$ (DC to 12GHz) $\leq .06 \times \sqrt{f(\text{GHz})}$ dB $\geq 5000$ MΩ $\leq 6\text{m}\Omega$ $\leq 2\text{m}\Omega$ 500 335 $\geq 80\text{dB}$ (3GHz); $\geq 65\text{dB}$ (3~26.5GHz)																											
<div style="border: 1px solid black; padding: 2px;">Mechanical Data</div> Engagement force Disengagement force Durability (mating) Axial misalignment Radial misalignment	<table border="1"> <thead> <tr> <th>Full Detent</th> <th>Limited Detent</th> <th>Smooth bore &amp; catchers mit</th> <th></th> </tr> </thead> <tbody> <tr> <td><math>\leq 15</math></td> <td><math>\leq 10</math></td> <td><math>\leq 2</math></td> <td>lbs</td> </tr> <tr> <td><math>\geq 5</math></td> <td><math>\geq 2</math></td> <td><math>\geq 0.5</math></td> <td>lbs</td> </tr> <tr> <td><math>\geq 100</math></td> <td><math>\geq 500</math></td> <td><math>\geq 1000</math></td> <td></td> </tr> </tbody> </table>	Full Detent	Limited Detent	Smooth bore & catchers mit		$\leq 15$	$\leq 10$	$\leq 2$	lbs	$\geq 5$	$\geq 2$	$\geq 0.5$	lbs	$\geq 100$	$\geq 500$	$\geq 1000$		<table border="1"> <tbody> <tr> <td colspan="4"><math>+ 0.00 / -0.25 (+.000 / -.010)</math></td> </tr> <tr> <td colspan="4"><math>\pm 0.25 (0.010)</math></td> </tr> </tbody> </table>			$+ 0.00 / -0.25 (+.000 / -.010)$				$\pm 0.25 (0.010)$			
Full Detent	Limited Detent	Smooth bore & catchers mit																										
$\leq 15$	$\leq 10$	$\leq 2$	lbs																									
$\geq 5$	$\geq 2$	$\geq 0.5$	lbs																									
$\geq 100$	$\geq 500$	$\geq 1000$																										
$+ 0.00 / -0.25 (+.000 / -.010)$																												
$\pm 0.25 (0.010)$																												
<div style="border: 1px solid black; padding: 2px;">Environmental Data</div> Temperature range Thermal shock Moisture resistance Corrosion RoHS	-65°C to +165°C MIL-STD-202, Method 107, Condition B MIL-STD-202, Method 106 MIL-STD-202, Method 101, Condition B Compliant																											
<div style="border: 1px solid black; padding: 2px;">Tooling</div>																												

Notice: JYEBAO reserves the right to make modifications deemed appropriate.

# SMP350P-SB48

