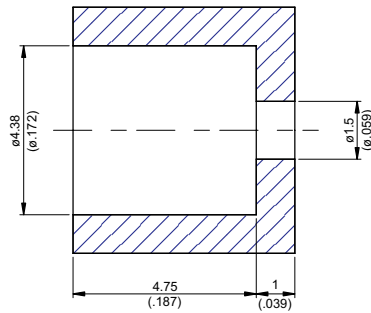
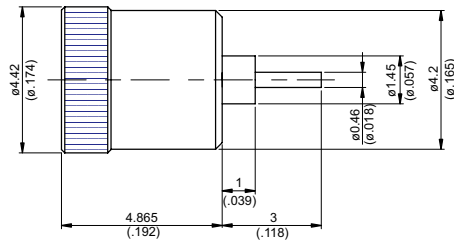


SMP350P-FD48

Press Fit SMP Plug Full Detent Bulkhead With Round Contact ($\Phi 0.46; L=2$), PTFE $L=1$; 9GHz VSWR 1.25 50 Ω



PANEL CUT OUT

Parts	Material	Plating (Micro-inch)
Center Pin	Brass	Gold 4 Over Nickel Phosphorous Alloy 80 Over Copper 20
Insulator	Teflon	
Body	Brass	Gold 4 Over Nickel Phosphorous Alloy 80 Over Copper 20

This part number complies with RoHS.

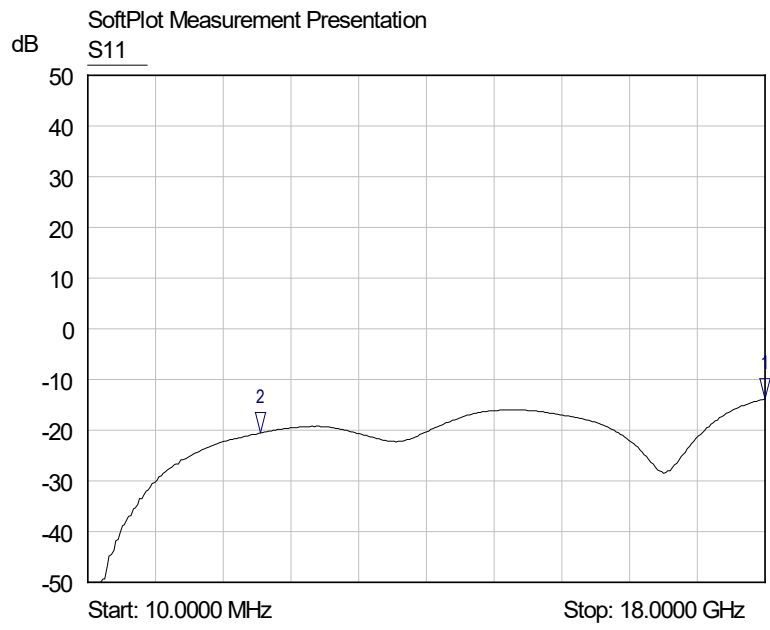
Notice: JYEBAO reserves the right to make modifications deemed appropriate.

SMP	SMP350P-FD48																			
<div style="border: 1px solid black; padding: 2px;">Interface</div> MIL-STD-348B																				
<div style="border: 1px solid black; padding: 2px;">Electrical Data</div> Impedance Frequency range VSWR Insertion loss Insulation resistance Contact resistance inner conductor Contact resistance outer conductor Dielectric withstanding voltage (at sea level) Working Voltage (at sea level) RF-Leakage	50Ω DC to 9GHz ≤ 1.25 (DC to 9GHz) $\leq .06 \times \sqrt{f(\text{GHz})}$ dB ≥ 5000 MΩ $\leq 6\text{m}\Omega$ $\leq 2\text{m}\Omega$ 500 335 $\geq 80\text{dB}$ (3GHz); $\geq 65\text{dB}$ (3~26.5GHz)																			
<div style="border: 1px solid black; padding: 2px;">Mechanical Data</div> Engagement force Disengagement force Durability (mating) Axial misalignment Radial misalignment	<table border="1"> <thead> <tr> <th>Full Detent</th> <th>Limited Detent</th> <th>Smooth bore & catchers mit</th> <th></th> </tr> </thead> <tbody> <tr> <td>≤ 15</td> <td>≤ 10</td> <td>≤ 2</td> <td>lbs</td> </tr> <tr> <td>≥ 5</td> <td>≥ 2</td> <td>≥ 0.5</td> <td>lbs</td> </tr> <tr> <td>≥ 100</td> <td>≥ 500</td> <td>≥ 1000</td> <td></td> </tr> </tbody> </table>	Full Detent	Limited Detent	Smooth bore & catchers mit		≤ 15	≤ 10	≤ 2	lbs	≥ 5	≥ 2	≥ 0.5	lbs	≥ 100	≥ 500	≥ 1000		$+ 0.00 / -0.25 (+.000 / -.010)$		$\pm 0.25 (0.010)$
Full Detent	Limited Detent	Smooth bore & catchers mit																		
≤ 15	≤ 10	≤ 2	lbs																	
≥ 5	≥ 2	≥ 0.5	lbs																	
≥ 100	≥ 500	≥ 1000																		
<div style="border: 1px solid black; padding: 2px;">Environmental Data</div> Temperature range Thermal shock Moisture resistance Corrosion RoHS	-65°C to +165°C MIL-STD-202, Method 107, Condition B MIL-STD-202, Method 106 MIL-STD-202, Method 101, Condition B Compliant																			
<div style="border: 1px solid black; padding: 2px;">Tooling</div>																				

Notice: JYEBAO reserves the right to make modifications deemed appropriate.

SMP350P-FD48

S11



- 1 S11
▽ 18.0000 GHz
-13.81 dB
- 2 S11
▽ 4.5934 GHz
-20.52 dB