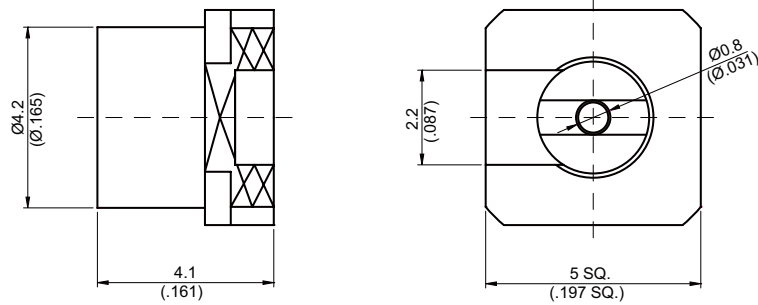


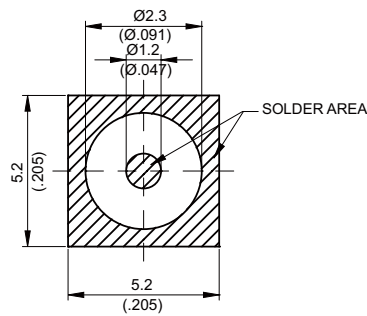
SMP34TM-0000

**SMP Limited Detent Plug PCB Mount
With Round Contact (Φ0.8); 18GHz VSWR 1.2**

50Ω



PCB LAYOUT



Parts	Material	Plating (Micro-inch)
Body	Brass	Gold 4 Over Nickel Phosphorous Alloy 80 Over Copper 20
Insulator	Teflon	
Contact Pin	Brass	Gold 4 Over Nickel Phosphorous Alloy 80 Over Copper 20

Weight: 0.31 g

This part number complies with RoHS.

Notice: JYEBAO reserves the right to make modifications deemed appropriate.

SMP	SMP34TM-0000																																	
<div data-bbox="118 331 517 376" style="border: 1px solid black; padding: 2px;">Interface</div> <p>MIL-STD-348B</p>																																		
<div data-bbox="118 495 517 539" style="border: 1px solid black; padding: 2px;">Electrical Data</div> <p>Impedance 50Ω</p> <p>Frequency range DC to 18GHz</p> <p>VSWR ≤ 1.2 (DC to 18GHz)</p> <p>Insertion loss $\leq .06 \times \sqrt{f(\text{GHz})}$ dB</p> <p>Insulation resistance $\geq 5000 \text{ M}\Omega$</p> <p>Contact resistance inner conductor $\leq 6\text{m}\Omega$</p> <p>Contact resistance outer conductor $\leq 2\text{m}\Omega$</p> <p>Dielectric withstanding voltage (at sea level) 500</p> <p>Working Voltage (at sea level) 335</p> <p>RF-Leakage $\geq 80\text{dB}$ (3GHz); $\geq 65\text{dB}$ (3~26.5GHz)</p>																																		
<div data-bbox="118 1084 517 1151" style="border: 1px solid black; padding: 2px;">Mechanical Data</div> <table border="1" data-bbox="804 1072 1386 1447"> <thead> <tr> <th></th> <th>Full Detent</th> <th>Limited Detent</th> <th>Smooth bore & catchers mit</th> <th></th> </tr> </thead> <tbody> <tr> <td>Engagement force</td> <td>≤ 15</td> <td>≤ 10</td> <td>≤ 2</td> <td>lbs</td> </tr> <tr> <td>Disengagement force</td> <td>≥ 5</td> <td>≥ 2</td> <td>≥ 0.5</td> <td>lbs</td> </tr> <tr> <td>Durability (mating)</td> <td>≥ 100</td> <td>≥ 500</td> <td>≥ 1000</td> <td></td> </tr> <tr> <td>Axial misalignment</td> <td colspan="4" style="text-align: center;">$+ 0.00 / -0.25 (+.000 / -.010)$</td> </tr> <tr> <td>Radial misalignment</td> <td colspan="4" style="text-align: center;">$\pm 0.25 (0.010),\text{min}$</td> </tr> </tbody> </table>						Full Detent	Limited Detent	Smooth bore & catchers mit		Engagement force	≤ 15	≤ 10	≤ 2	lbs	Disengagement force	≥ 5	≥ 2	≥ 0.5	lbs	Durability (mating)	≥ 100	≥ 500	≥ 1000		Axial misalignment	$+ 0.00 / -0.25 (+.000 / -.010)$				Radial misalignment	$\pm 0.25 (0.010),\text{min}$			
	Full Detent	Limited Detent	Smooth bore & catchers mit																															
Engagement force	≤ 15	≤ 10	≤ 2	lbs																														
Disengagement force	≥ 5	≥ 2	≥ 0.5	lbs																														
Durability (mating)	≥ 100	≥ 500	≥ 1000																															
Axial misalignment	$+ 0.00 / -0.25 (+.000 / -.010)$																																	
Radial misalignment	$\pm 0.25 (0.010),\text{min}$																																	
<div data-bbox="118 1469 517 1514" style="border: 1px solid black; padding: 2px;">Environmental Data</div> <p>Temperature range -65°C to +165°C</p> <p>Thermal shock MIL-STD-202, Method 107, Condition B</p> <p>Moisture resistance MIL-STD-202, Method 106</p> <p>Corrosion MIL-STD-202, Method 101, Condition B</p> <p>RoHS Compliant</p>																																		
<div data-bbox="118 1823 517 1868" style="border: 1px solid black; padding: 2px;">Tooling</div>																																		

SMP34TM-0000

S11

