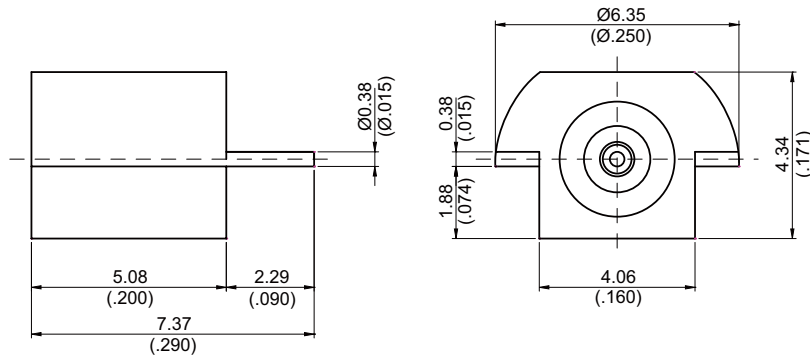


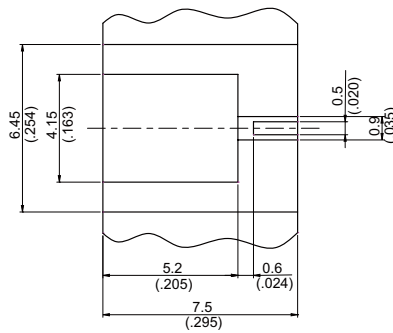
SMP3400P-FD00

**SMP Full Detent Plug PCB Edge Mount
With Round Contact (Φ0.38); 27GHz VSWR 1.25**

50Ω



PANEL CUT OUT:



Parts	Material	Plating (Micro-inch)
Contact Pin	Brass	Gold 4 Over Nickel Phosphorous Alloy 80 Over Copper 20
Insulator	Teflon	
Body	Brass	Gold 4 Over Nickel Phosphorous Alloy 80 Over Copper 20

This part number complies with RoHS.

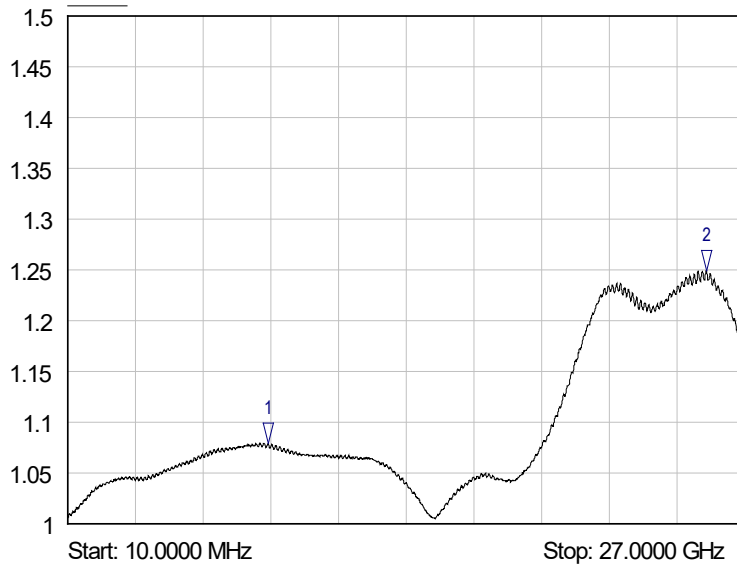
Notice: JYEBAO reserves the right to make modifications deemed appropriate.

SMP	SMP3400P-FD00																		
<div style="border: 1px solid black; padding: 2px;">Interface</div> MIL-STD-348B																			
<div style="border: 1px solid black; padding: 2px;">Electrical Data</div> Impedance Frequency range VSWR Insertion loss Insulation resistance Contact resistance inner conductor Contact resistance outer conductor Dielectric withstanding voltage (at sea level) Working Voltage (at sea level) RF-Leakage	50Ω DC to 27GHz ≤ 1.25 (DC to 27GHz) ≤ .06 x √f(GHz) dB ≥ 5000 MΩ ≤ 6mΩ ≤ 2mΩ 500 335 ≥ 80dB (3GHz); ≥ 65dB (3~26.5GHz)																		
<div style="border: 1px solid black; padding: 2px;">Mechanical Data</div> Engagement force Disengagement force Durability (mating) Axial misalignment Radial misalignment	<table border="1" style="width: 100%; border-collapse: collapse;"> <thead> <tr> <th style="text-align: center;">Full Detent</th> <th style="text-align: center;">Limited Detent</th> <th style="text-align: center;">Smooth bore & catchers mit</th> <th></th> </tr> </thead> <tbody> <tr> <td style="text-align: center;">≤ 15</td> <td style="text-align: center;">≤ 10</td> <td style="text-align: center;">≤ 2</td> <td style="text-align: center;">lbs</td> </tr> <tr> <td style="text-align: center;">≥ 5</td> <td style="text-align: center;">≥ 2</td> <td style="text-align: center;">≥ 0.5</td> <td style="text-align: center;">lbs</td> </tr> <tr> <td style="text-align: center;">≥ 100</td> <td style="text-align: center;">≥ 500</td> <td style="text-align: center;">≥ 1000</td> <td></td> </tr> </tbody> </table>	Full Detent	Limited Detent	Smooth bore & catchers mit		≤ 15	≤ 10	≤ 2	lbs	≥ 5	≥ 2	≥ 0.5	lbs	≥ 100	≥ 500	≥ 1000		+ 0.00 / -0.25 (+.000 / -.010) ±0.25 (0.010),min	
Full Detent	Limited Detent	Smooth bore & catchers mit																	
≤ 15	≤ 10	≤ 2	lbs																
≥ 5	≥ 2	≥ 0.5	lbs																
≥ 100	≥ 500	≥ 1000																	
<div style="border: 1px solid black; padding: 2px;">Environmental Data</div> Temperature range Thermal shock Moisture resistance Corrosion RoHS	-65°C to +165°C MIL-STD-202, Method 107, Condition B MIL-STD-202, Method 106 MIL-STD-202, Method 101, Condition B Compliant																		
<div style="border: 1px solid black; padding: 2px;">Tooling</div>																			

Notice: JYEBAO reserves the right to make modifications deemed appropriate.

SMP3400P-FD00

SoftPlot Measurement Presentation
VSWR S11



- 1 S11
▽ 7.9900 GHz
1.08 VSWR
- 2 S11
▽ 25.4700 GHz
1.25 VSWR