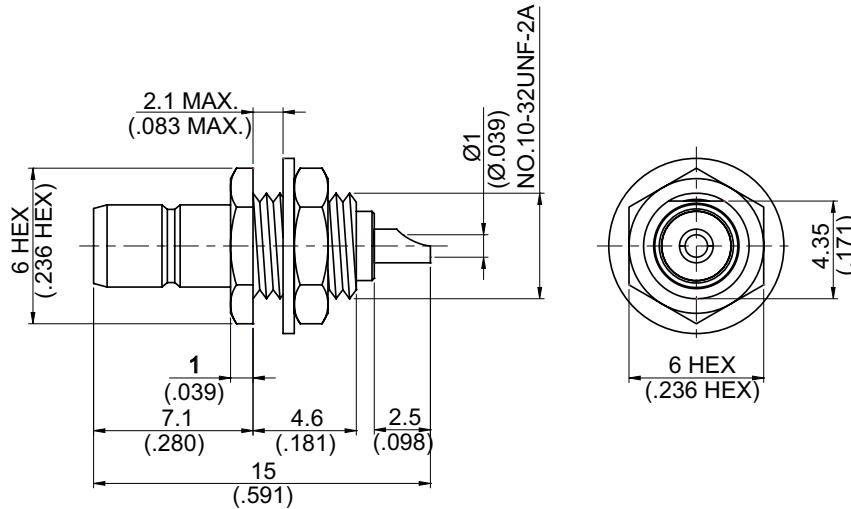
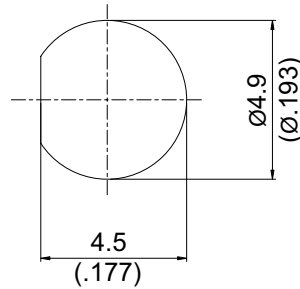


SMB8575-0000

**SMB Jack Bulkhead With Solder Cup Contact; 75Ω**  
**2GHz VSWR 1.2; 4GHz VSWR 1.35**



MOUNTING HOLE:



NOTE: (1)Nut screwed on from the rear.  
 (2)75 ohm mini SMB interface.

Parts	Material	Plating (Micro-inch)
Hex Nut	Brass	Gold 4 Over Nickel-Phosphorus Alloy 80 Over Copper 20
Lock Washer	Brass	Gold 4 Over Nickel-Phosphorus Alloy 80 Over Copper 20
Contact Pin	Brass	Gold 4 Over Nickel-Phosphorus Alloy 80 Over Copper 20
Insulator	Teflon	
Body	Brass	Gold 4 Over Nickel-Phosphorus Alloy 80 Over Copper 20

Weight:

This part number complies with RoHS.

Notice: JYEBAO reserves the right to make modifications deemed appropriate.

SMB	SMB8575-0000
<b>Electrical Data</b>	
Impedance	75Ω
Frequency range	DC to 4GHz
VSWR	≤ 1.2 (2GHz); ≤ 1.35 (4GHz)
Insertion loss	≤ 0.1 x √f(GHz)dB
Insulation resistance	≥ 10000MΩ
Contact resistance inner conductor	≤ 5mΩ
Contact resistance outer conductor	≤ 2.5mΩ
Dielectric withstanding voltage (at sea level)	750 V rms
Working voltage (at sea level)	250 V rms
<b>Mechanical Data</b>	
Disengagement force	1.8 to 14.2 lbs
Engagement force	1.8 to 14.2 lbs
Contact captivation-axial	≥ 4 lbs
Durability (mating)	≥ 500
<b>Environmental Data</b>	
Temperature range	-65°C to +165°C
Thermal shock	MIL-STD-202, Method 107, Condition B
Moisture resistance	MIL-STD-202, Method 106
Corrosion	MIL-STD-202, Method 101, Condition B
RoHS	Compliant
<b>Tooling</b>	

Notice: JYEBAO reserves the right to make modifications deemed appropriate.

# SMB8575-0000

S11

