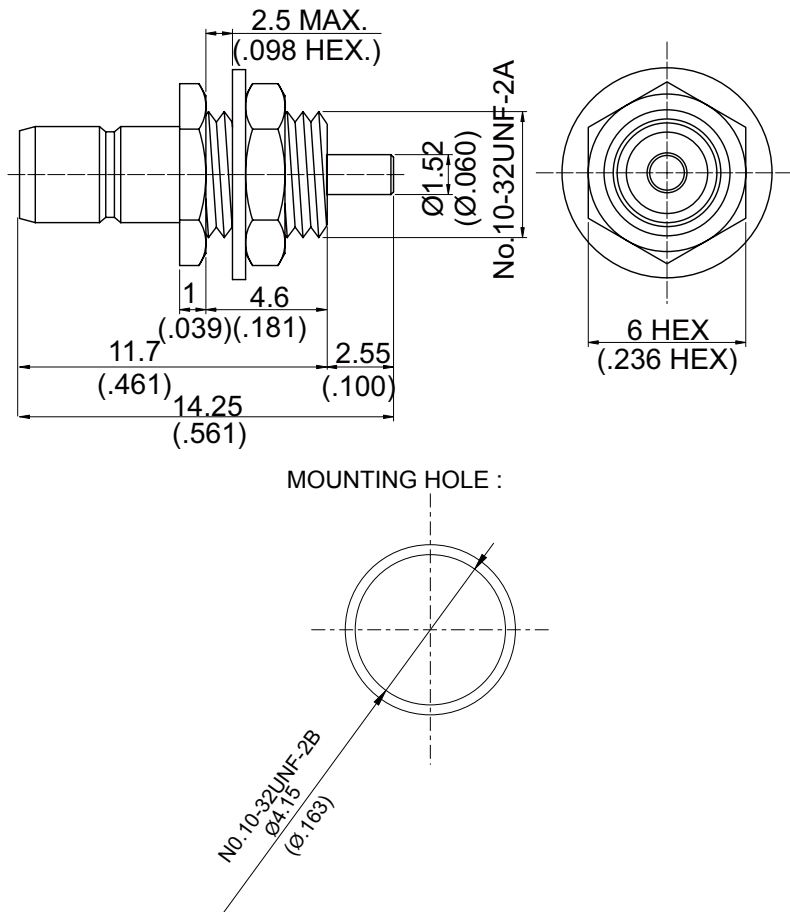


SMB8502-0000

SMB Jack Bulkhead



Parts	Material	Plating (Micro-inch)
Hex Nux	Brass	Gold 5 Over Nickel 50 Over Copper 50
Lock Washer	Brass	Gold 5 Over Nickel 50 Over Copper 50
Contact Pin	Brass	Gold 20 Over Nickel 50 Over Copper 50
Insulator	Teflon	
Body	Brass	Gold 5 Over Nickel 50 Over Copper 50

Weight: 1.15 g

This part number complies with RoHS.

Notice: JYEBAO reserves the right to make modifications deemed appropriate.