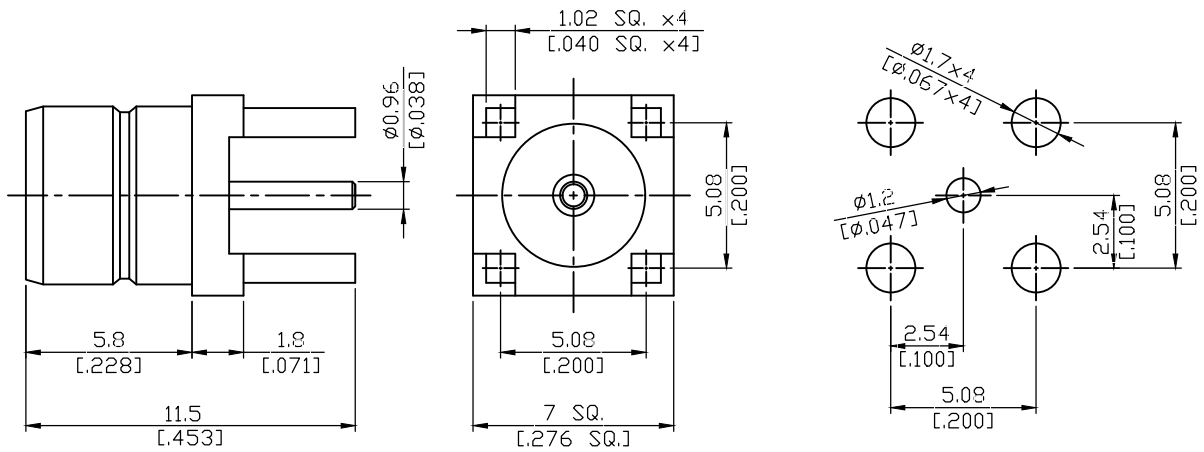


SMB84ST-0000

SMB Jack PCB Mount With Round Contact
(Φ0.96)

50Ω



PCB MOUNTING HOLE

Parts	Material	Plating (Micro-inch)
Contact Pin	Brass	Gold 4 Over Nickel-Phosphorus Alloy 80 Over Copper 20
Insulator	Teflon	
Body	Brass	Gold 4 Over Nickel-Phosphorus Alloy 80 Over Copper 20

This part number complies with RoHS.

Notice: JYEBAO reserves the right to make modifications demand appropriate.