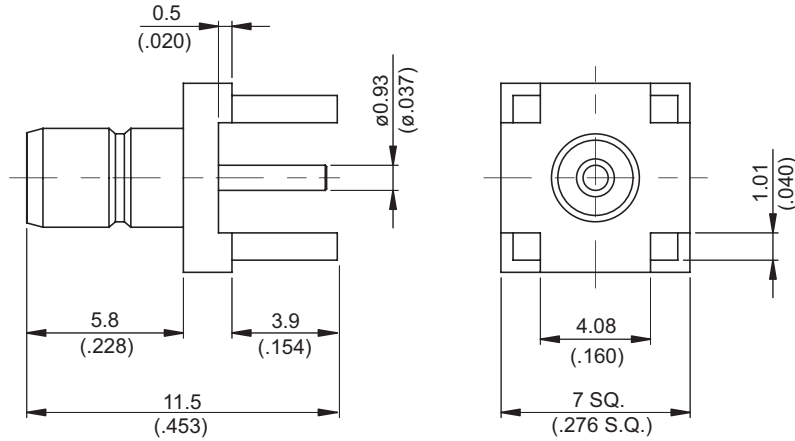


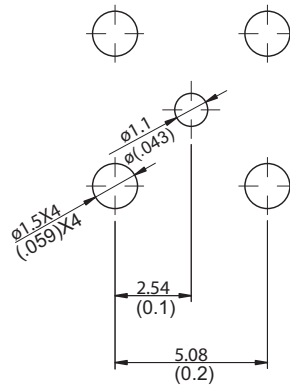
SMB84NG-0000

SMB Jack PCB Mount
With Round Contact (Φ0.93); 4GHz VSWR 1.2

50Ω



MOUNTING HOLE



| Parts | Material | Plating (Micro-inch) |
|-------------|----------|---|
| Contact Pin | Brass | Gold 4 Over Nickel-Phosphorus Alloy 80 Over Copper 20 |
| Insulator | Teflon | |
| Body | Brass | Gold 4 Over Nickel-Phosphorus Alloy 80 Over Copper 20 |

Weight: 0.96 g

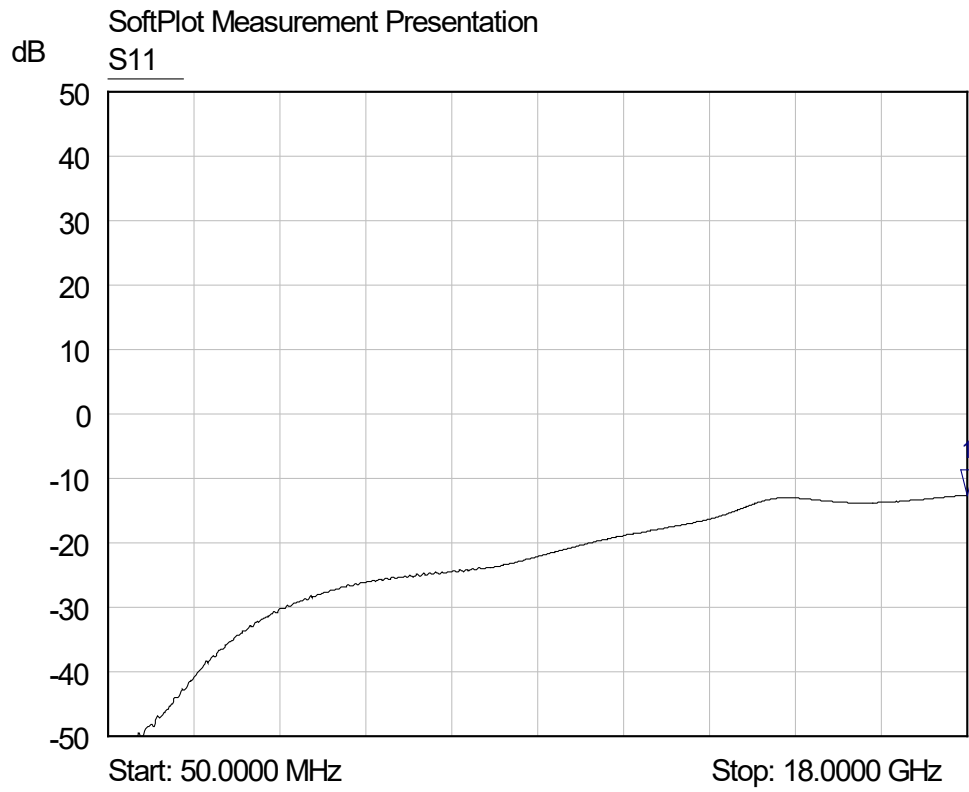
This part number complies with RoHS.

Notice: JYEBAO reserves the right to make modifications deemed appropriate.

| SMB | SMB84NG-0000 | | | | | | | | | | | | | | | | | | |
|---|--------------------------------------|---------------------|-----------------|------------------|--------------------------------------|---------------------------|-------------------------|---------------------|--------------------------------------|-----------------------|-----------|------------------------------------|-------|------------------------------------|---------|--|------------|--------------------------------|-----------|
| <div data-bbox="167 344 568 389" style="border: 1px solid black; padding: 2px;">Interface</div> <p>MIL-STD-348B Mechanically compatible with SMS</p> | | | | | | | | | | | | | | | | | | | |
| <div data-bbox="167 512 568 557" style="border: 1px solid black; padding: 2px;">Electrical Data</div> <table border="0" style="width: 100%;"> <tr> <td style="width: 50%;">Impedance</td> <td style="width: 50%;">50Ω</td> </tr> <tr> <td>Frequency range</td> <td>DC to 4GHz</td> </tr> <tr> <td>VSWR</td> <td>≤ 1.2 (DC to 4GHz)</td> </tr> <tr> <td>Insertion loss</td> <td>≤ 0.1 x √f(GHz) dB</td> </tr> <tr> <td>Insulation resistance</td> <td>≥ 10000MΩ</td> </tr> <tr> <td>Contact resistance inner conductor</td> <td>≤ 5mΩ</td> </tr> <tr> <td>Contact resistance outer conductor</td> <td>≤ 2.5mΩ</td> </tr> <tr> <td>Dielectric withstanding voltage (at sea level)</td> <td>1000 V rms</td> </tr> <tr> <td>Working Voltage (at sea level)</td> <td>335 V rms</td> </tr> </table> | | Impedance | 50Ω | Frequency range | DC to 4GHz | VSWR | ≤ 1.2 (DC to 4GHz) | Insertion loss | ≤ 0.1 x √f(GHz) dB | Insulation resistance | ≥ 10000MΩ | Contact resistance inner conductor | ≤ 5mΩ | Contact resistance outer conductor | ≤ 2.5mΩ | Dielectric withstanding voltage (at sea level) | 1000 V rms | Working Voltage (at sea level) | 335 V rms |
| Impedance | 50Ω | | | | | | | | | | | | | | | | | | |
| Frequency range | DC to 4GHz | | | | | | | | | | | | | | | | | | |
| VSWR | ≤ 1.2 (DC to 4GHz) | | | | | | | | | | | | | | | | | | |
| Insertion loss | ≤ 0.1 x √f(GHz) dB | | | | | | | | | | | | | | | | | | |
| Insulation resistance | ≥ 10000MΩ | | | | | | | | | | | | | | | | | | |
| Contact resistance inner conductor | ≤ 5mΩ | | | | | | | | | | | | | | | | | | |
| Contact resistance outer conductor | ≤ 2.5mΩ | | | | | | | | | | | | | | | | | | |
| Dielectric withstanding voltage (at sea level) | 1000 V rms | | | | | | | | | | | | | | | | | | |
| Working Voltage (at sea level) | 335 V rms | | | | | | | | | | | | | | | | | | |
| <div data-bbox="167 1099 568 1144" style="border: 1px solid black; padding: 2px;">Mechanical Data</div> <table border="0" style="width: 100%;"> <tr> <td style="width: 50%;">Disengagement force</td> <td style="width: 50%;">1.8 to 14.2 lbs</td> </tr> <tr> <td>Engagement force</td> <td>1.8 to 14.2 lbs</td> </tr> <tr> <td>Contact captivation-axial</td> <td>≥ 4 lbs</td> </tr> <tr> <td>Durability (mating)</td> <td>≥ 500</td> </tr> </table> | | Disengagement force | 1.8 to 14.2 lbs | Engagement force | 1.8 to 14.2 lbs | Contact captivation-axial | ≥ 4 lbs | Durability (mating) | ≥ 500 | | | | | | | | | | |
| Disengagement force | 1.8 to 14.2 lbs | | | | | | | | | | | | | | | | | | |
| Engagement force | 1.8 to 14.2 lbs | | | | | | | | | | | | | | | | | | |
| Contact captivation-axial | ≥ 4 lbs | | | | | | | | | | | | | | | | | | |
| Durability (mating) | ≥ 500 | | | | | | | | | | | | | | | | | | |
| <div data-bbox="167 1458 568 1503" style="border: 1px solid black; padding: 2px;">Environmental Data</div> <table border="0" style="width: 100%;"> <tr> <td style="width: 50%;">Temperature range</td> <td style="width: 50%;">-65°C to +165°C</td> </tr> <tr> <td>Thermal shock</td> <td>MIL-STD-202, Method 107, Condition B</td> </tr> <tr> <td>Moisture resistance</td> <td>MIL-STD-202, Method 106</td> </tr> <tr> <td>Corrosion</td> <td>MIL-STD-202, Method 101, Condition B</td> </tr> <tr> <td>RoHS</td> <td>Compliant</td> </tr> </table> | | Temperature range | -65°C to +165°C | Thermal shock | MIL-STD-202, Method 107, Condition B | Moisture resistance | MIL-STD-202, Method 106 | Corrosion | MIL-STD-202, Method 101, Condition B | RoHS | Compliant | | | | | | | | |
| Temperature range | -65°C to +165°C | | | | | | | | | | | | | | | | | | |
| Thermal shock | MIL-STD-202, Method 107, Condition B | | | | | | | | | | | | | | | | | | |
| Moisture resistance | MIL-STD-202, Method 106 | | | | | | | | | | | | | | | | | | |
| Corrosion | MIL-STD-202, Method 101, Condition B | | | | | | | | | | | | | | | | | | |
| RoHS | Compliant | | | | | | | | | | | | | | | | | | |
| <div data-bbox="167 1809 568 1854" style="border: 1px solid black; padding: 2px;">Tooling</div> | | | | | | | | | | | | | | | | | | | |

Notice: JYEBAO reserves the right to make modifications deemed appropriate.

SMB84NG-0000



| Mkr | Trace | X-Axis | Value | Notes |
|-----|-------|-------------|-----------|-------|
| 1 ▾ | S11 | 18.0000 GHz | -12.63 dB | |