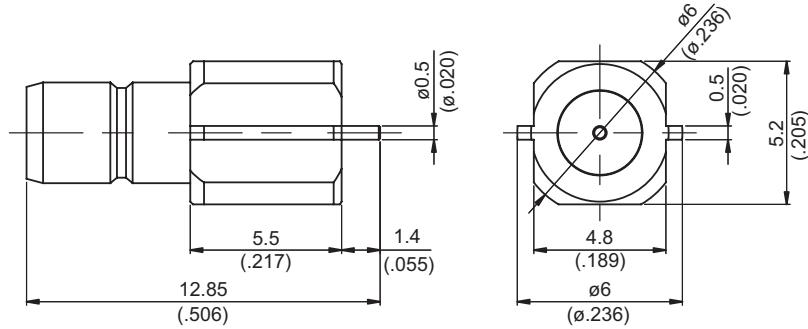


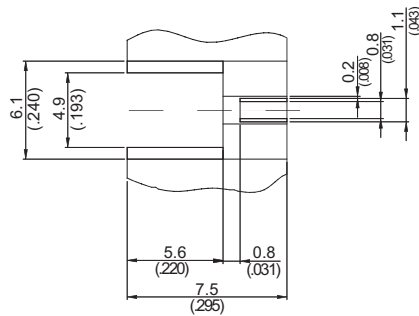
SMB8475P-0000

**SMB Jack PCB Edge Mount**  
**With Round Contact (Φ0.5); 2GHz VSWR 1.25**

**75Ω**



**MOUNTING HOLE**



**NOTE: 75Ω MINI-SMB INTERFACE**

Parts	Material	Plating (Micro-inch)
Contact Pin	Brass	Gold 4 Over Nickel-Phosphorus Alloy 80 Over Copper 20
Insulator	Teflon	
Body	Brass	Gold 4 Over Nickel-Phosphorus Alloy 80 Over Copper 20

Weight: 1.11 g

This part number complies with RoHS.

Notice: JYEBAO reserves the right to make modifications deemed appropriate.

SMB	SMB8475P-0000																				
<table border="0"> <tr> <td colspan="2" data-bbox="167 344 569 389"><b>Electrical Data</b></td> </tr> <tr> <td data-bbox="167 400 837 434">Impedance</td> <td data-bbox="853 400 1442 434">75Ω</td> </tr> <tr> <td data-bbox="167 450 837 483">Frequency range</td> <td data-bbox="853 450 1442 483">DC to 2GHz</td> </tr> <tr> <td data-bbox="167 499 837 533">VSWR</td> <td data-bbox="853 499 1442 533">≤ 1.25 (DC to 2GHz)</td> </tr> <tr> <td data-bbox="167 548 837 582">Insertion loss</td> <td data-bbox="853 548 1442 582">≤ 0.1 x √f(GHz)dB</td> </tr> <tr> <td data-bbox="167 598 837 631">Insulation resistance</td> <td data-bbox="853 598 1442 631">≥ 10000MΩ</td> </tr> <tr> <td data-bbox="167 647 837 680">Contact resistance inner conductor</td> <td data-bbox="853 647 1442 680">≤ 5mΩ</td> </tr> <tr> <td data-bbox="167 696 837 730">Contact resistance outer conductor</td> <td data-bbox="853 696 1442 730">≤ 2.5mΩ</td> </tr> <tr> <td data-bbox="167 745 837 779">Dielectric withstanding voltage (at sea level)</td> <td data-bbox="853 745 1442 779">750 V rms</td> </tr> <tr> <td data-bbox="167 795 837 828">Working voltage (at sea level)</td> <td data-bbox="853 795 1442 828">250 V rms</td> </tr> </table>		<b>Electrical Data</b>		Impedance	75Ω	Frequency range	DC to 2GHz	VSWR	≤ 1.25 (DC to 2GHz)	Insertion loss	≤ 0.1 x √f(GHz)dB	Insulation resistance	≥ 10000MΩ	Contact resistance inner conductor	≤ 5mΩ	Contact resistance outer conductor	≤ 2.5mΩ	Dielectric withstanding voltage (at sea level)	750 V rms	Working voltage (at sea level)	250 V rms
<b>Electrical Data</b>																					
Impedance	75Ω																				
Frequency range	DC to 2GHz																				
VSWR	≤ 1.25 (DC to 2GHz)																				
Insertion loss	≤ 0.1 x √f(GHz)dB																				
Insulation resistance	≥ 10000MΩ																				
Contact resistance inner conductor	≤ 5mΩ																				
Contact resistance outer conductor	≤ 2.5mΩ																				
Dielectric withstanding voltage (at sea level)	750 V rms																				
Working voltage (at sea level)	250 V rms																				
<table border="0"> <tr> <td colspan="2" data-bbox="167 938 569 983"><b>Mechanical Data</b></td> </tr> <tr> <td data-bbox="167 994 837 1028">Disengagement force</td> <td data-bbox="853 994 1442 1028">1.8 to 14.2 lbs</td> </tr> <tr> <td data-bbox="167 1043 837 1077">Engagement force</td> <td data-bbox="853 1043 1442 1077">1.8 to 14.2 lbs</td> </tr> <tr> <td data-bbox="167 1093 837 1126">Contact captivation-axial</td> <td data-bbox="853 1093 1442 1126">≥ 4 lbs</td> </tr> <tr> <td data-bbox="167 1142 837 1176">Durability (mating)</td> <td data-bbox="853 1142 1442 1176">≥ 500</td> </tr> </table>		<b>Mechanical Data</b>		Disengagement force	1.8 to 14.2 lbs	Engagement force	1.8 to 14.2 lbs	Contact captivation-axial	≥ 4 lbs	Durability (mating)	≥ 500										
<b>Mechanical Data</b>																					
Disengagement force	1.8 to 14.2 lbs																				
Engagement force	1.8 to 14.2 lbs																				
Contact captivation-axial	≥ 4 lbs																				
Durability (mating)	≥ 500																				
<table border="0"> <tr> <td colspan="2" data-bbox="167 1290 569 1335"><b>Environmental Data</b></td> </tr> <tr> <td data-bbox="167 1346 837 1379">Temperature range</td> <td data-bbox="853 1346 1442 1379">-65°C to +165°C</td> </tr> <tr> <td data-bbox="167 1395 837 1429">Thermal shock</td> <td data-bbox="853 1395 1442 1429">MIL-STD-202, Method 107, Condition B</td> </tr> <tr> <td data-bbox="167 1444 837 1478">Moisture resistance</td> <td data-bbox="853 1444 1442 1478">MIL-STD-202, Method 106</td> </tr> <tr> <td data-bbox="167 1494 837 1527">Corrosion</td> <td data-bbox="853 1494 1442 1527">MIL-STD-202, Method 101, Condition B</td> </tr> <tr> <td data-bbox="167 1543 837 1576">RoHS</td> <td data-bbox="853 1543 1442 1576">Compliant</td> </tr> </table>		<b>Environmental Data</b>		Temperature range	-65°C to +165°C	Thermal shock	MIL-STD-202, Method 107, Condition B	Moisture resistance	MIL-STD-202, Method 106	Corrosion	MIL-STD-202, Method 101, Condition B	RoHS	Compliant								
<b>Environmental Data</b>																					
Temperature range	-65°C to +165°C																				
Thermal shock	MIL-STD-202, Method 107, Condition B																				
Moisture resistance	MIL-STD-202, Method 106																				
Corrosion	MIL-STD-202, Method 101, Condition B																				
RoHS	Compliant																				
<table border="0"> <tr> <td colspan="2" data-bbox="167 1644 569 1688"><b>Tooling</b></td> </tr> </table>		<b>Tooling</b>																			
<b>Tooling</b>																					

Notice: JYEBAO reserves the right to make modifications deemed appropriate.

# SMB8475P-0000

S11

