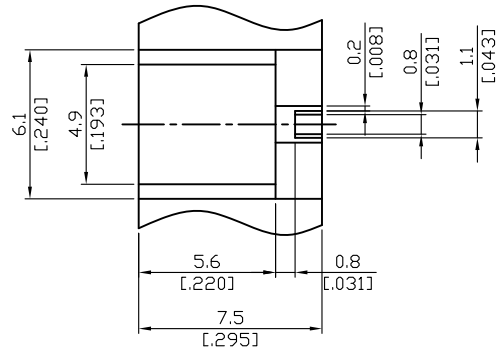
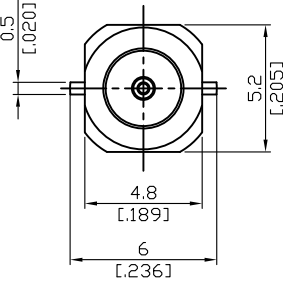
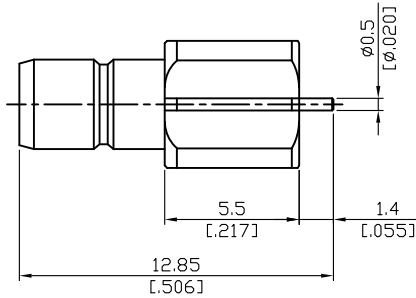


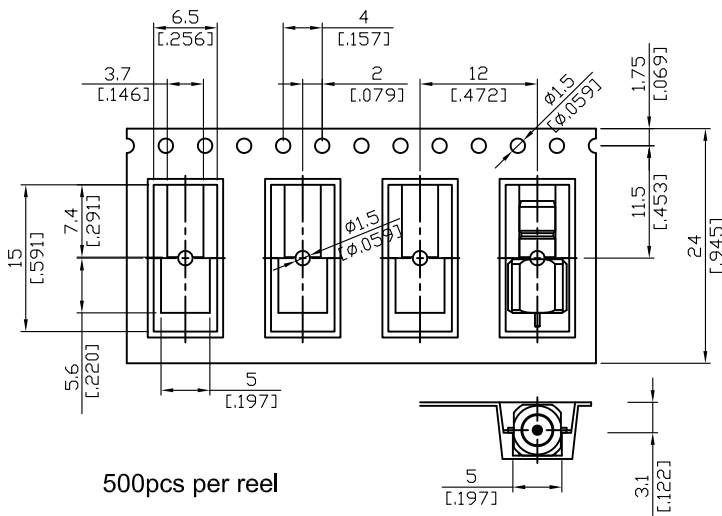
SMB8400P-0000/TR

SMB Jack PCB Edge Mount With Round Contact (Φ0.5)
Tape and Reel packaged; 4GHz VSWR 1.15

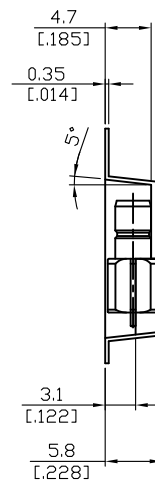
50Ω



PCB LAYOUTS



500pcs per reel



Parts	Material	Plating (Micro-inch)
Body	Brass	Gold 4 Over Nickel-Phosphorus Alloy 80 Over Copper 20
Insulator	Teflon	
Contact Pin	Brass	Gold 4 Over Nickel-Phosphorus Alloy 80 Over Copper 20

This part number complies with RoHS.

Notice: JYEBAO reserves the right to make modifications deemed appropriate.

SMB	SMB8400P-0000/TR
<div data-bbox="167 344 568 389" style="border: 1px solid black; padding: 2px;">Interface</div> <p>MIL-STD-348B Mechanically compatible with SMS</p>	
<div data-bbox="167 512 568 557" style="border: 1px solid black; padding: 2px;">Electrical Data</div> <p>Impedance 50Ω Frequency range DC to 4GHz VSWR ≤ 1.15 (DC to 4GHz) Insertion loss ≤ 0.1 x √f(GHz) dB Insulation resistance ≥ 10000MΩ Contact resistance inner conductor ≤ 5mΩ Contact resistance outer conductor ≤ 2.5mΩ Dielectric withstanding voltage (at sea level) 1000V rms Working Voltage (at sea level) 335V rms</p>	
<div data-bbox="167 1099 568 1144" style="border: 1px solid black; padding: 2px;">Mechanical Data</div> <p>Disengagement force 1.8 to 14.2 lbs Engagement force 1.8 to 14.2 lbs Contact captivation-axial ≥ 4 lbs Durability (mating) ≥ 500</p>	
<div data-bbox="167 1456 568 1500" style="border: 1px solid black; padding: 2px;">Environmental Data</div> <p>Temperature range -65°C to +165°C Thermal shock MIL-STD-202, Method 107, Condition B Moisture resistance MIL-STD-202, Method 106 Corrosion MIL-STD-202, Method 101, Condition B RoHS Compliant</p>	
<div data-bbox="167 1812 568 1856" style="border: 1px solid black; padding: 2px;">Tooling</div>	

Notice: JYEBAO reserves the right to make modifications deemed appropriate.

SMB8400P-0000/TR

S11

