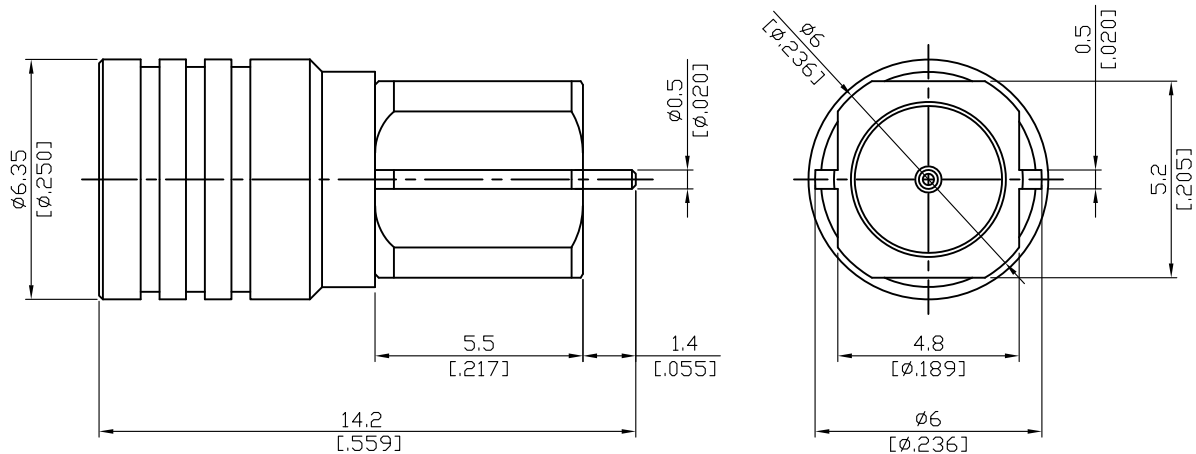


SMB3475P-0000

SMB plug PCB edge mount 75ohm  
with round contact ( $\Phi 0.5$ ); 3Ghz VSWR1.2

75 $\Omega$



Note: 75 ohm MINI-SMB interface

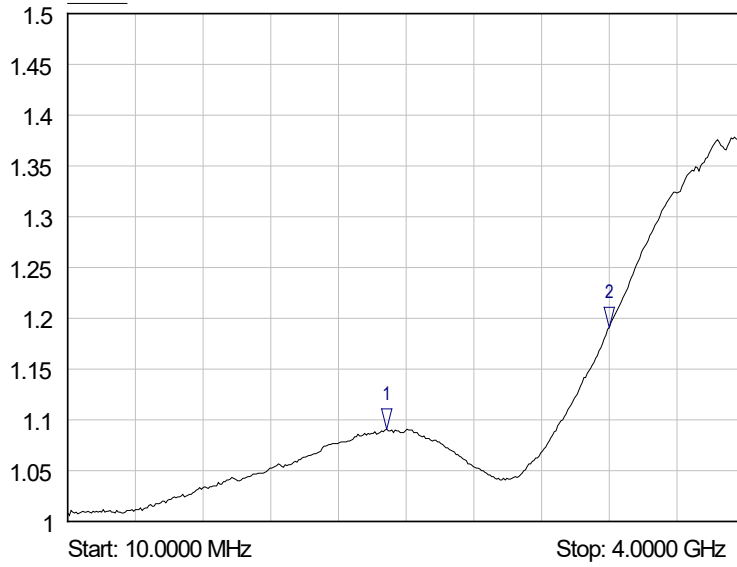
Parts	Material	Plating ( Micro-inch )
Coupling Nut	Brass	Gold 4 Over Nickel-Phosphorus Alloy 80 Over Copper 20
Body	Brass	Gold 4 Over Nickel-Phosphorus Alloy 80 Over Copper 20
Insulator	Teflon	
Contact Pin	Beryllium Copper	Gold 4 Over Nickel-Phosphorus Alloy 80 Over Copper 20
Retainer Ring	Beryllium Copper	Tin-Zinc-Copper-Alloy 100 Over Copper 50

SMB	SMB3475P-0000
<b>Electrical Data</b>	
Impedance	75Ω
Frequency range	DC to 3GHz
VSWR	≤ 1.2 (DC to 3GHz)
Insertion loss	≤ 0.1 x √f(GHz)dB
Insulation resistance	≥ 10000MΩ
Contact resistance inner conductor	≤ 5mΩ
Contact resistance outer conductor	≤ 2.5mΩ
Dielectric withstanding voltage (at sea level)	750 V rms
Working voltage (at sea level)	250 V rms
<b>Mechanical Data</b>	
Disengagement force	1.8 to 14.2 lbs
Engagement force	1.8 to 14.2 lbs
Contact captivation-axial	≥ 4 lbs
Durability (mating)	≥ 500
<b>Environmental Data</b>	
Temperature range	-65°C to +165°C
Thermal shock	MIL-STD-202, Method 107, Condition B
Moisture resistance	MIL-STD-202, Method 106
Corrosion	MIL-STD-202, Method 101, Condition B
RoHS	Compliant
<b>Tooling</b>	

Notice: JYEBAO reserves the right to make modifications deemed appropriate.

# SMB3475P-0000

SoftPlot Measurement Presentation  
VSWR S22



- 1 S22  
▽ 1.8900 GHz  
1.09 VSWR
- 2 S22  
▽ 3.2000 GHz  
1.19 VSWR