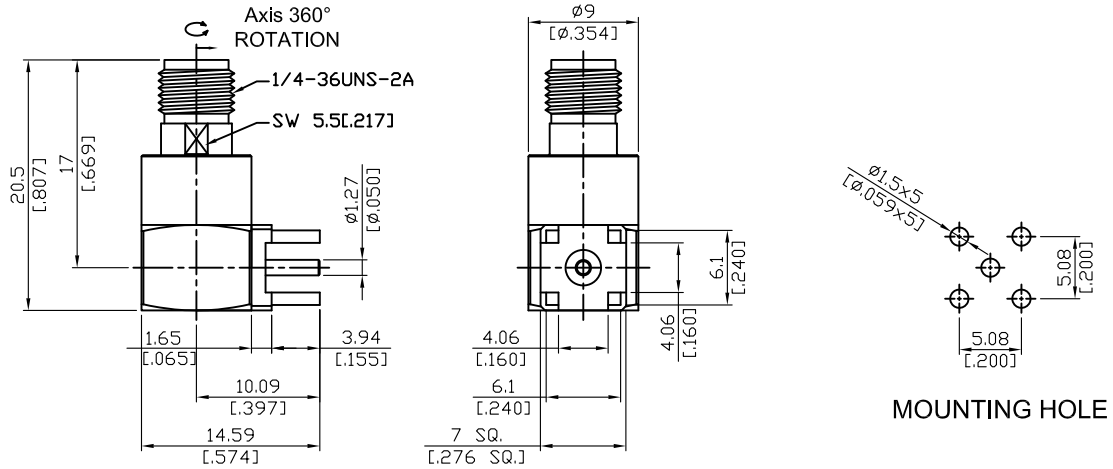


SMARJ8400-9000	6GHz SMA jack for PCB mount right angle rotary joint	50Ω
----------------	--	-----



Frequency	VSWR max	VSWR-WOW	Insertion Loss (dB)	Insertion Loss-WOW (dB)	Phase-WOW
DC to 6GHz	1.25	≤0.02	≤0.4	≤0.05	≤0.5°

**NOTE:**

- (1) VSWR-WOW:  
VSWR rotational effect(WOW) is the change in VSWR that occurs rotation with around its axis and is the difference between the maximum and minimum values observed in one 360° rotation.
- (2) Insertion Loss-WOW:  
Insertion loss rotational effect(WOW) is the change in insertion loss that occurs with rotation around its axis and is the difference between the maximum and minimum values observed in one 360° rotation.
- (3) Phase-WOW:  
Phase rotational rotational effect(WOW) is the change in Phase with rotation around its axis and is the difference between the maximum and minimum values observed in one 360° rotation.
- (4) Average power: 1GHz/200W ; 15GHz/40W; 18GHz/30W.
- (5) Peak power: 18GHz/3000W.
- (6) Continuous rotational speed (rpm): 100
- (7) Operating temp: -40°C to +70°C.

Parts	Material	Plating ( Micro-inch )
Retainer Ring	Brass	Tin-Zinc-Copper-Alloy 100 Over Copper 50
Contact Pin	Beryllium Copper	Gold 4 Over Nickel-Phosphorus Alloy 80 Over Copper 20
Insulator	Teflon	
Body	Brass	Gold 4 Over Nickel-Phosphorus Alloy 80 Over Copper 20
Bearing	Stainless Steel	Passivated

--	--