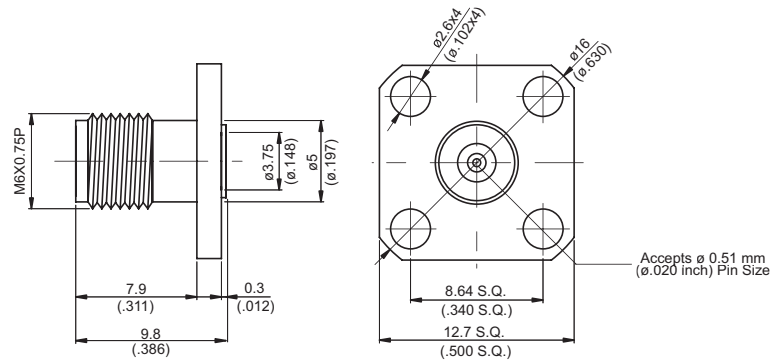


SMA8F46M6-0020

4-Hole Flange Field Receptacle Jack
(Special Thread)

50Ω



NOTE: RL ≤ -20dB UP TO 27 GHz ; M 6 X 0.75 THREAD

Parts	Material	Plating (Micro-inch)
EMI Gasket	Conductive Silicon	
Contact Pin	Beryllium Copper	Gold 20 Over Nickel 50 Over Copper 50
Insulator	Teflon	
Body	Stainless Steel	Passivated

Weight:

This part number complies with RoHS.

Notice: JYEBAO reserves the right to make modifications deemed appropriate.