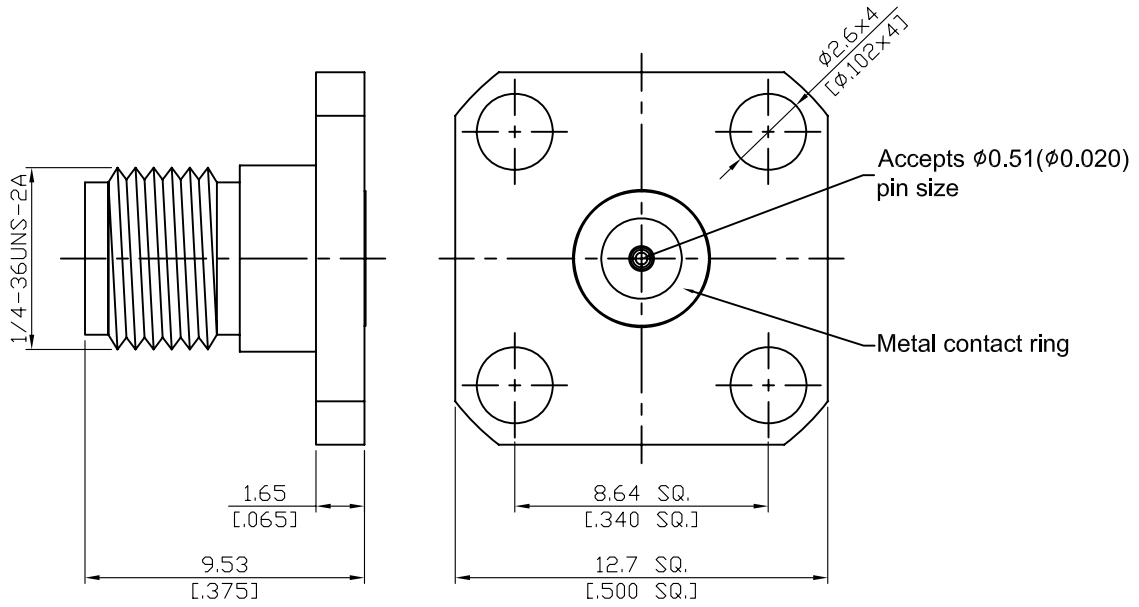


SMA8F46C-EM20

4 Hole SMA Jack Panel Receptacle

50Ω



VSWR 1.20 : 1 Max up to 27GHz

Parts	Material	Plating ( Micro-inch )
Metal Contact Ring	Stainless Steel	Passivated
Contact Pin	Beryllium Copper	Gold 4 Over Nickel-Phosphorus Alloy 80 Over Copper 20
Insulator	Teflon	
Body	Stainless Steel	Passivated

This part number complies with RoHS.

Notice: JYEBAO reserves the right to make modifications demand appropriate.