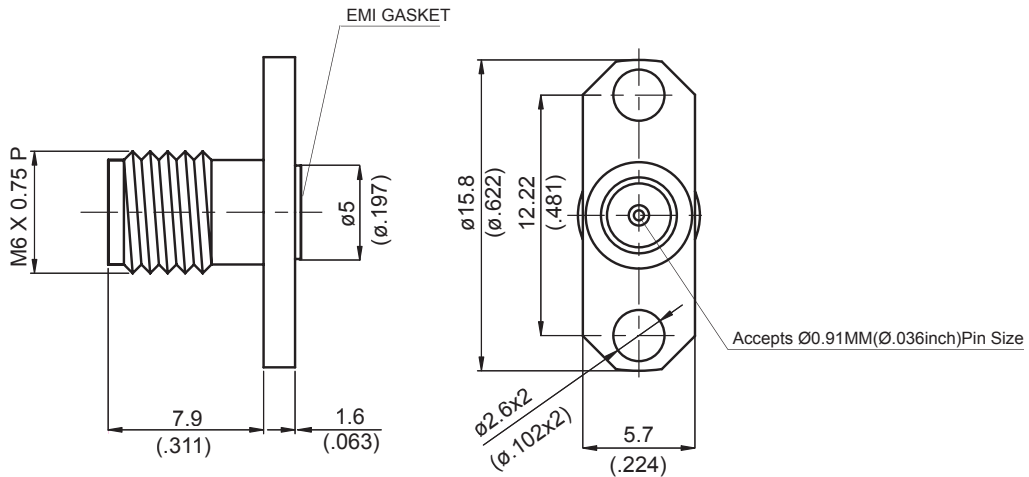


SMA8F26M6-0036

**2-Hole Flange Field Receptacle Jack 50Ω  
(Special Thread)**



**NOTE: M6 X 0.75 P THREAD ; RL ≤ -20dB UP TO 27 GHz**

Parts	Material	Plating (Micro-inch)
EMI Gasket	Conductive Silicon Elastomers	
Contact Pin	Beryllium Copper	Gold 20 Over Nickel 50 Over Copper 50
Insulator	Teflon	
Body	Stainless	Passivated

Weight:

This part number complies with RoHS.

Notice: JYEBAO reserves the right to make modifications deemed appropriate.