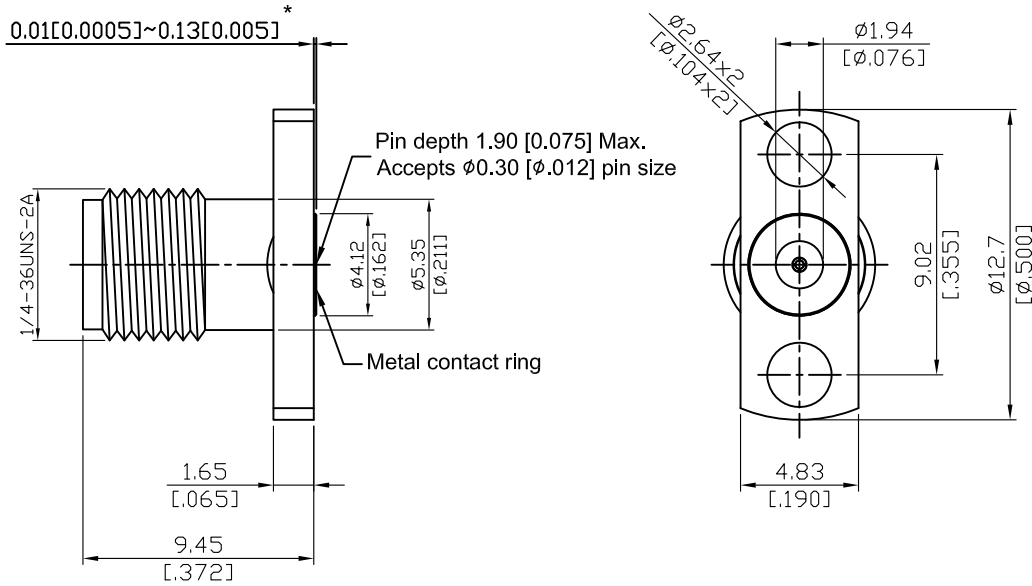


SMA8F26EC-EM12

SMA Field Replaceable Jack
 φ12.7mm (.500inch) 2 Hole Flange With Metal Ring
 Accepts φ0.30mm (.012inch) pin; 27GHz VSWR 1.15

50Ω



*360° Raised Metal Contact Ring

Parts	Material	Plating (Micro-inch)
Body	Stainless Steel	Passivated
Insulator	Teflon	
Contact Pin	Beryllium Copper	Gold 4 Over Nickel-Phosphorus Alloy 80 Over Copper 20
Metal Contact Ring	Stainless Steel	Passivated

This part number complies with RoHS.

Notice: JYEBAO reserves the right to make modifications deemed appropriate.

SMA	SMA8F26EC-EM12
Interface	
MIL-STD-348B	
Mechanically compatible with	2.92 & 3.5
Electrical Data	
Impedance	50Ω
Frequency range	DC to 27GHz
VSWR	≤ 1.15 (DC to 27GHz)
Insertion loss	≤ 0.04 x √f(GHz) dB
Insulation resistance	≥ 5000MΩ
Contact resistance inner conductor	≤ 3mΩ
Contact resistance outer conductor	≤ 2mΩ
Dielectric withstanding voltage (at sea level)	1500 V rms
Working voltage (at sea level)	500 V rms
Mechanical Data	
Recommended coupling nut torque	7 to 9.5 inch lbs
Coupling proof torque	15 inch lbs
Contact Captivation-axial	≥ 6.1 lbs
Durability (mating)	≥ 500
Environmental Data	
Temperature range	-65°C to +165°C
Thermal shock	MIL-STD-202, Method 107, Condition B
Moisture resistance	MIL-STD-202, Method 106
Corrosion	MIL-STD-202, Method 101, Condition B
RoHS	Compliant
Accessories	
Hermetic seal	FR012-SEAL1; FR012-SEAL2; SEAL.012
Launch pin & Dielectric transition	FR012-LAUNCH1; FR012-LAUNCH2
Tab pin & Dielectric transition	FR012-TAB2; FR012-TAB3
Tab pin	FR012-TAB1

Notice: JYEBAO reserves the right to make modifications deemed appropriate.

Recommended Launch Hole Dimensions :

1. Using Hermetic seals



Hermetic seal P/N

SEAL.012

FR012-SEAL1

FR012-SEAL2

2. Using dielectric with Tab or Launch pin



"A" = Substrate thickness

"B" = A + 1/2 Tab or Launch terminal

Dielectric and Tab/Launch pin P/N	Recommended Launch hole dia.	Recommended Launch hole length
FR012-LAUNCH1	ϕ 0.99 (.039)	4.75 (.187)
FR012-LAUNCH2	ϕ 0.99 (.039)	3.18 (.125)
FR012-TAB2	ϕ 0.99 (.039)	3.18 (.125)
FR012-TAB3	ϕ 0.99 (.039)	4.75 (.187)

3. Using Tab pin



Tab pin P/N

FR012-TAB1

SMA8F26EC-EM12 (Tested back to back)

