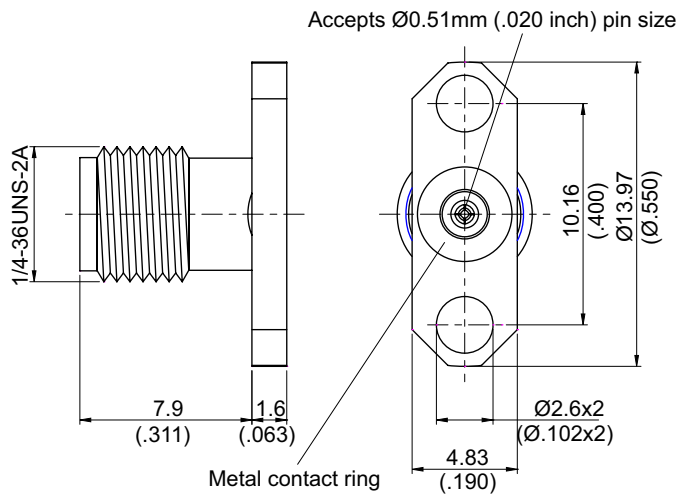


SMA8F26C-0020

SMA 2 Hole Flange Field Replaceable Jack

50Ω



NOTE: VSWR ≤1.2 up to 27 GHz: no EMI gasket.

Parts	Material	Plating (Micro-inch)
Ferrule	Stainless Steel	Passivated
Contact Pin	Beryllium Copper	Gold 4 Over Nickel-Phosphorous Alloy 80 Over Copper 20
Insulator	Teflon	
Body	Stainless Steel	Passivated

Weight:

This part number complies with RoHS.

Notice: JYEBAO reserves the right to make modifications deemed appropriate.