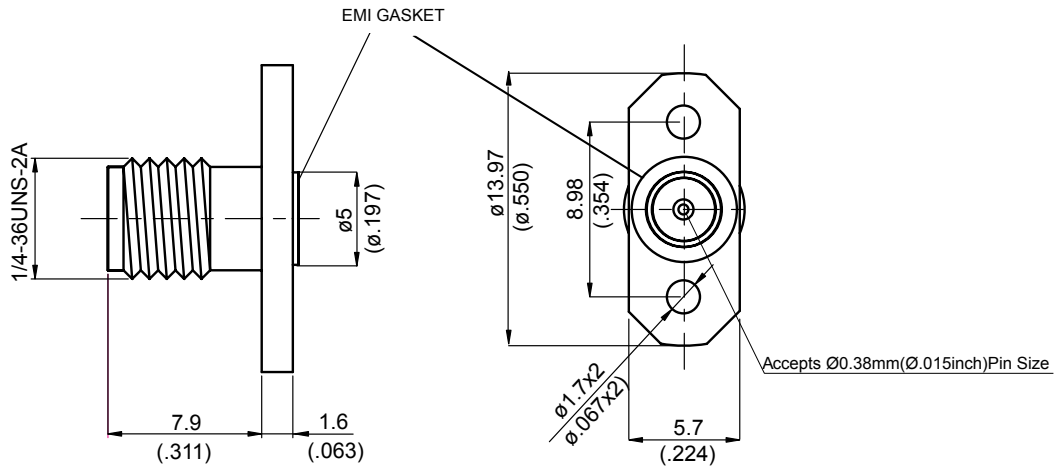


SMA8F26B-0015

**SMA Field Replaceable Jack,
 $\phi 13.97\text{mm}$ (.550inch) 2 Hole Flange With EMI Gasket, 50 Ω
 Accepts $\phi 0.38\text{mm}$ (.015inch) pin, 27GHz VSWR 1.2**



Parts	Material	Plating (Micro-inch)
EMI Gasket	Conductive Silicon Elastomers	
Contact Pin	Beryllium Copper	Gold 4 Over Nickel-Phosphorus Alloy 80 Over Copper 20
Insulator	Teflon	
Body	Stainless	Passivated

Weight: 1.61 g

This part number complies with RoHS.

Notice: JYEBAO reserves the right to make modifications deemed appropriate.

SMA	SMA8F26B-0015
<div data-bbox="167 344 568 389" style="border: 1px solid black; padding: 2px;">Interface</div> <p>MIL-STD-348B Mechanically compatible with</p>	
	2.92 & 3.5
<div data-bbox="167 512 568 557" style="border: 1px solid black; padding: 2px;">Electrical Data</div> <p>Impedance Frequency range VSWR Insertion loss Insulation resistance Contact resistance inner conductor Contact resistance outer conductor Dielectric withstanding voltage (at sea level) Working voltage (at sea level)</p>	
	<p>50Ω DC to 27GHz ≤ 1.2 (DC to 27GHz) ≤ 0.04 x √f(GHz) dB ≥ 5000MΩ ≤ 3mΩ ≤ 2mΩ 1500 V rms 500 V rms</p>
<div data-bbox="167 1057 568 1102" style="border: 1px solid black; padding: 2px;">Mechanical Data</div> <p>Recommended coupling nut torque Coupling proof torque Coupling nut retention force Contact Captivation-axial Durability (mating)</p>	
	<p>7 to 9.5 inch lbs 15 inch lbs ≥ 60.7 lbs ≥ 6.1 lbs ≥ 500</p>
<div data-bbox="167 1413 568 1458" style="border: 1px solid black; padding: 2px;">Environmental Data</div> <p>Temperature range Thermal shock Moisture resistance Corrosion RoHS</p>	
	<p>-40°C to +125°C MIL-STD-202, Method 107, Condition B MIL-STD-202, Method 106 MIL-STD-202, Method 101, Condition B Compliant</p>
<div data-bbox="167 1765 568 1809" style="border: 1px solid black; padding: 2px;">Tooling</div>	

Notice: JYEBAO reserves the right to make modifications deemed appropriate.