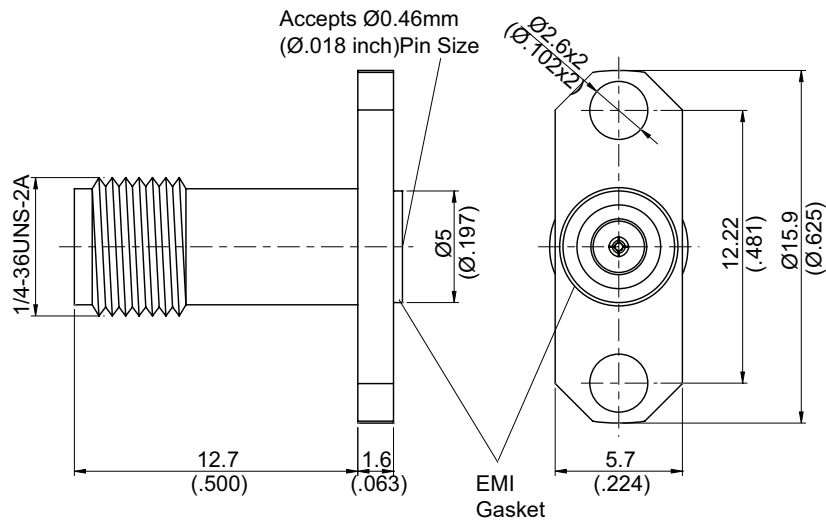


SMA8F26AL-0018

**SMA Field Replaceable Jack,  
 $\phi$ 15.9mm (.625inch) 2 Hole Flange With EMI Gasket,  
 Accepts  $\phi$ 0.46mm (.018inch) pin, 27GHz VSWR 1.2**

**50 $\Omega$**



Parts	Material	Plating (Micro-inch)
Metal Contact Ring	Brass	Gold 4 Over Nickel-Phosphorous Alloy 80 Over Copper 20
Contact Pin	Beryllium Copper	Gold 4 Over Nickel-Phosphorous Alloy 80 Over Copper 20
Insulator	Teflon	
Body	Brass	Gold 4 Over Nickel-Phosphorous Alloy 80 Over Copper 20
EMI Gasket	Conductive Silicon Elastomers	

This part number complies with RoHS.

Notice: JYEBAO reserves the right to make modifications deemed appropriate.

SMA	SMA8F26AL-0018
<div data-bbox="167 344 568 389" style="border: 1px solid black; padding: 2px;">Interface</div> <p>MIL-STD-348B Mechanically compatible with 2.92 &amp; 3.5</p>	
<div data-bbox="167 512 568 557" style="border: 1px solid black; padding: 2px;">Electrical Data</div> <p>Impedance 50Ω Frequency range DC to 27GHz VSWR <math>\leq 1.2</math> (DC to 27GHz) Insertion loss <math>\leq 0.04 \times \sqrt{f(\text{GHz})}</math> dB Insulation resistance <math>\geq 5000\text{M}\Omega</math> Contact resistance inner conductor <math>\leq 3\text{m}\Omega</math> Contact resistance outer conductor <math>\leq 2\text{m}\Omega</math> Dielectric withstanding voltage (at sea level) 1500 V rms Working voltage (at sea level) 500 V rms</p>	
<div data-bbox="167 1057 568 1102" style="border: 1px solid black; padding: 2px;">Mechanical Data</div> <p>Recommended coupling nut torque 7 to 9.5 inch lbs Coupling proof torque 15 inch lbs Coupling nut retention force <math>\geq 60.7</math> lbs Contact Captivation-axial <math>\geq 6.1</math> lbs Durability (mating) <math>\geq 500</math></p>	
<div data-bbox="167 1411 568 1456" style="border: 1px solid black; padding: 2px;">Environmental Data</div> <p>Temperature range -40°C to +125°C Thermal shock MIL-STD-202, Method 107, Condition B Moisture resistance MIL-STD-202, Method 106 Corrosion MIL-STD-202, Method 101, Condition B RoHS Compliant</p>	
<div data-bbox="167 1765 568 1809" style="border: 1px solid black; padding: 2px;">Tooling</div>	

Notice: JYEBAO reserves the right to make modifications deemed appropriate.