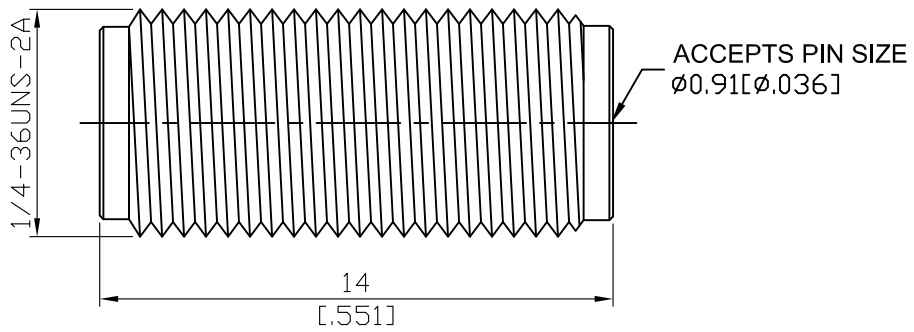


SMA8F00-0036

SMA Thread In Mount Field Replaceable Jack,  
Accepts  $\phi 0.91\text{mm}$  (.036inch) pin; 27GHz VSWR 1.15

50 $\Omega$



Parts	Material	Plating ( Micro-inch )
Body	Stainless Steel	Passivated
Insulator	Teflon	
Contact Pin	Beryllium Copper	Gold 4 Over Nickel-Phosphorus Alloy 80 Over Copper 20

--	--

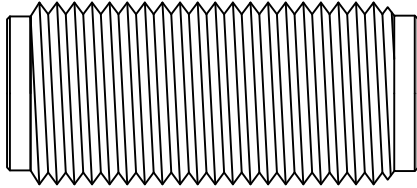
This part number complies with RoHS.

Notice: JYEBAO reserves the right to make modifications deemed appropriate.

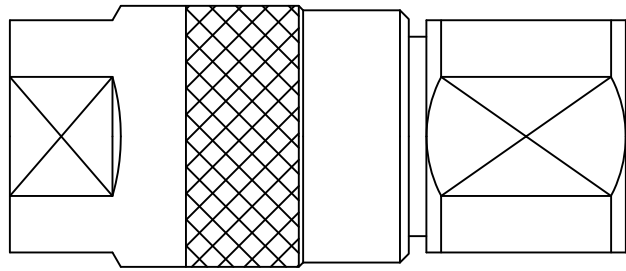
SMA	SMA8F00-0036
<b>Interface</b>	
MIL-STD-348B	
Mechanically compatible with	2.92 & 3.5
<b>Electrical Data</b>	
Impedance	50
Frequency range	DC to 27GHz
VSWR	$\leq 1.15$ (DC to 27GHz)
Insertion loss	$\leq 0.04 \times \sqrt{f(\text{GHz})}$ dB
Insulation resistance	$\geq 5000\text{M}$
Contact resistance inner conductor	$\leq 3\text{m}\Omega$
Contact resistance outer conductor	$\leq 2\text{m}\Omega$
Dielectric withstanding voltage (at sea level)	1500 V rms
Working voltage (at sea level)	500 V rms
<b>Mechanical Data</b>	
Recommended coupling nut torque	7 to 9.5 inch lbs
Coupling proof torque	15 inch lbs
Contact Captivation-axial	$\geq 6.1$ lbs
Durability (mating)	$\geq 500$
<b>Environmental Data</b>	
Temperature range	-65°C to +165°C
Thermal shock	MIL-STD-202, Method 107, Condition B
Moisture resistance	MIL-STD-202, Method 106
Corrosion	MIL-STD-202, Method 101, Condition B
RoHS	Compliant
<b>Tooling</b>	
Installation tool for thread in connectors	IT-1/4-36UNS

Notice: JYEBAO reserves the right to make modifications deemed appropriate.

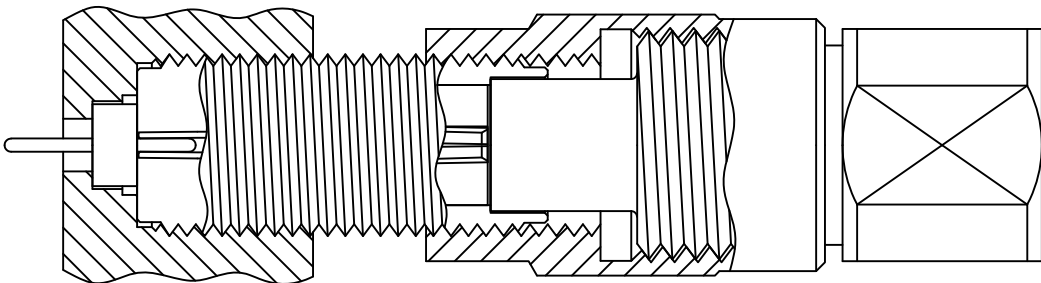
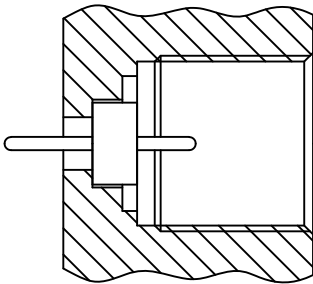
## INSTALLATION ACCESSORY FOR THREAD-IN CONNECTOR SERIES



THREAD-IN CONNECTOR



INSTALLATION TOOL



# SMA8F00-0036 (tested back to back)

S11

