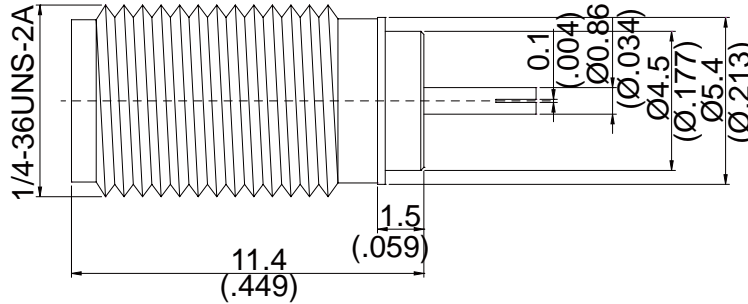
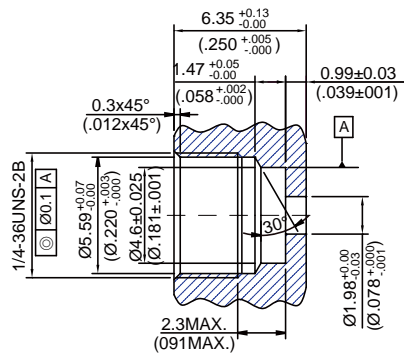


SMA8F00-0000/HS

Hermetic SMA Thread In Mount Field Replaceable Jack 50Ω
With $\phi 0.86\text{mm}$ (.034inch) pin; 18GHz VSWR 1.2



MOUNTING HOLE:



Hermetic 1×10^{-6} cc/sec of helium at 1atm.

Parts	Material	Plating (Micro-inch)
Metal Gasket	Brass	Gold 4 Over Nickel-Phosphorous Alloy 80 Over Copper 20
Contact Pin	Brass	Gold 4 Over Nickel-Phosphorous Alloy 80 Over Copper 20
Gasket	Silicon	
Contact Body	Stainless Steel	Passivated
Contact Pin	Beryllium Copper	Gold 4 Over Nickel-Phosphorous Alloy 80 Over Copper 20
Insulator	Teflon	
Body	Stainless Steel	Passivated

This part number complies with RoHS.

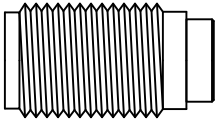
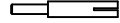

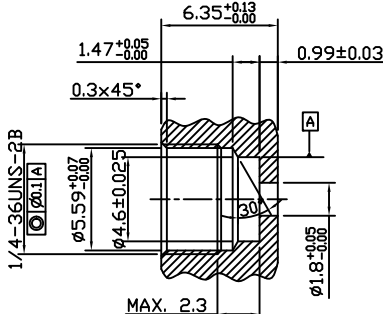
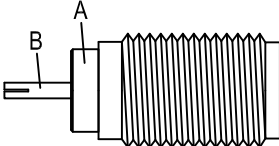
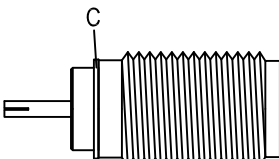
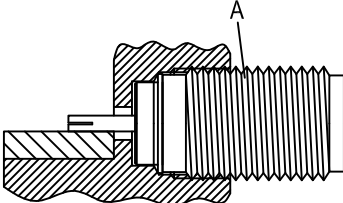
Notice: JYEBAC reserves the right to make modifications deemed appropriate.

SMA	SMA8F00-0000/HS
<div data-bbox="167 347 568 392" style="border: 1px solid black; padding: 2px;">Interface</div> <p>MIL-STD-348B</p> <p>Mechanically compatible with 2.92 & 3.5</p>	
<div data-bbox="167 515 568 560" style="border: 1px solid black; padding: 2px;">Electrical Data</div> <p>Impedance 50Ω</p> <p>Frequency range DC to 18GHz</p> <p>VSWR ≤ 1.2 (DC to 18GHz)</p> <p>Insertion loss ≤ 0.04 x √f(GHz) dB</p> <p>Insulation resistance ≥ 5000MΩ</p> <p>Contact resistance inner conductor ≤ 3mΩ</p> <p>Contact resistance outer conductor ≤ 2mΩ</p> <p>Dielectric withstanding voltage (at sea level) 1500 V rms</p> <p>Working voltage (at sea level) 500 V rms</p>	
<div data-bbox="167 1059 568 1104" style="border: 1px solid black; padding: 2px;">Mechanical Data</div> <p>Recommended coupling nut torque 7 to 9.5 inch lbs</p> <p>Coupling proof torque 15 inch lbs</p> <p>Contact Captivation-axial ≥ 6.1 lbs</p> <p>Durability (mating) ≥ 500</p>	
<div data-bbox="167 1413 568 1458" style="border: 1px solid black; padding: 2px;">Environmental Data</div> <p>Temperature range -65°C to +165°C</p> <p>Thermal shock MIL-STD-202, Method 107, Condition B</p> <p>Moisture resistance MIL-STD-202, Method 106</p> <p>Corrosion MIL-STD-202, Method 101, Condition B</p> <p>RoHS Compliant</p>	
<div data-bbox="167 1767 568 1812" style="border: 1px solid black; padding: 2px;">Tooling</div> <p>Installation tool for thread in connectors IT-1/4-36UNS</p>	

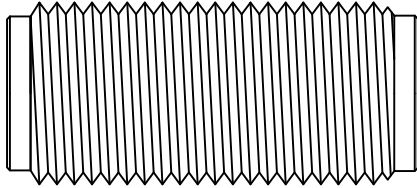
Notice: JYEBAO reserves the right to make modifications deemed appropriate.

JYE BAO CO., LTD.

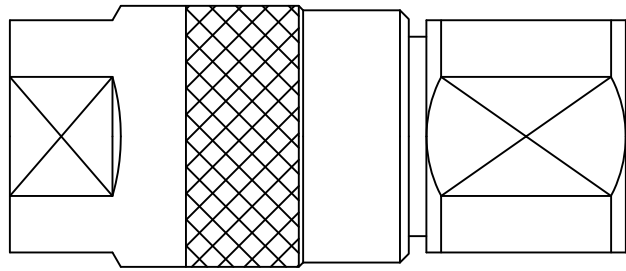
CONNECTOR INSTALLATION RECOMMENDATION

SMA8F00-0000/HS	DATE	2014/04/29	REV	—
<p>A</p>  <p>CONNECTOR</p>	<p>B</p>  <p>AUXILIARY CONTACT</p>	<p>C</p>  <p>METAL GASKET</p>		
DIAGRAM	ASSEMBLY INSTRUCTION			
	<p>Step 1: DRILL MOUNTING HOLE IN HOUSING.</p>			
	<p>Step 2: INSERT AUXILIARY CONTACT INTO CONNECTOR.</p>			
	<p>Step 3: ASSEMBLE METAL GASKET ONTO CONNECTOR.</p>			
	<p>Step 4: SCREW ASSEMBLED CONNECTOR INTO THE HOUSING USE INSTALLATION TOOL FOR THREAD IN CONNECTOR IT-1/4-36UNS-2A. TIGHTEN THE CONNECTOR UP TO 280 Ncm ± 10 Ncm.</p>			
<p>This part number complies with RoHS. Notice: JYEBAO reserves the right to make modifications deemed appropriate.</p>				
APPROVED	CHECKED	DRAWING	<i>Albert</i>	

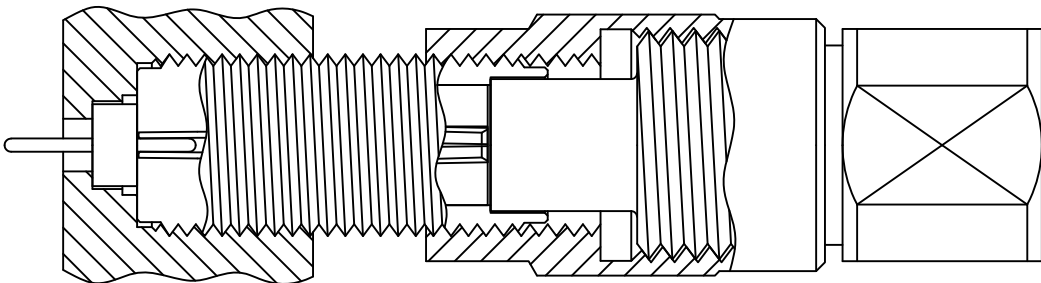
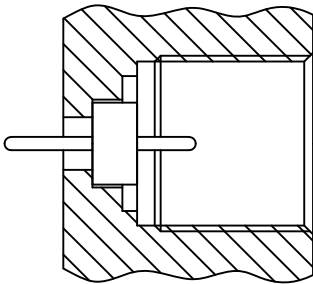
INSTALLATION ACCESSORY FOR THREAD-IN CONNECTOR SERIES



THREAD-IN CONNECTOR



INSTALLATION TOOL



SMA8F00-0000/HS

