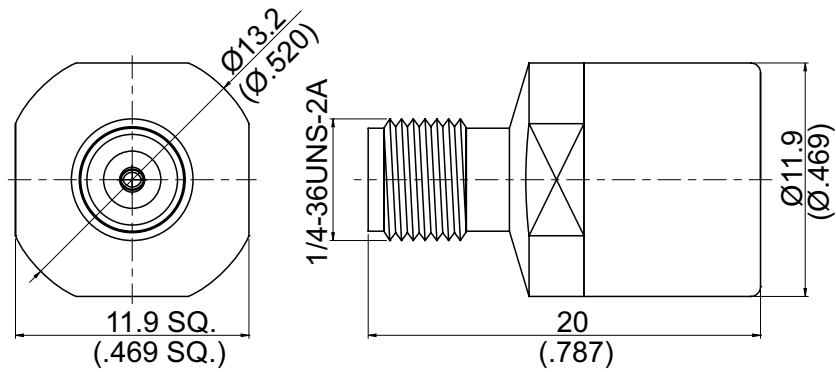


SMA8A00-0000	SMA Jack Open	50Ω
--------------	---------------	-----



Parts	Material	Plating (Micro-inch)
Contact Pin	Beryllium Copper	Gold 4 Over Nickel-Phosphorous Alloy 80 Over Copper 20
Insulator	Teflon	
Body	Brass	Gold 4 Over Nickel-Phosphorous Alloy 80 Over Copper 20

Weight:

This part number complies with RoHS.
 Notice: JYEBAO reserves the right to make modifications deemed appropriate.