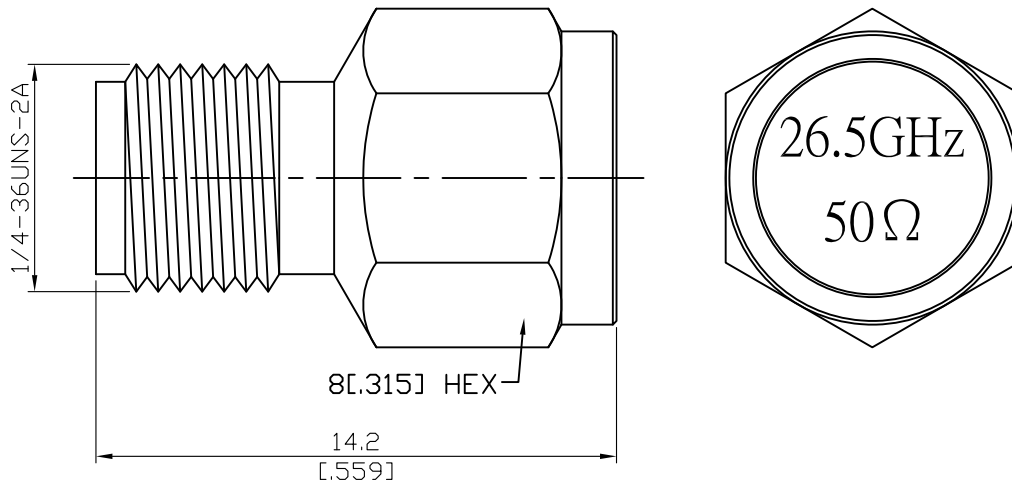


SMA8900S-26.5

2 Watt 50ohm SMA Jack Termination  
6GHz VSWR 1.1; 12.4GHz VSWR 1.15; 26.5GHz VSWR 1.2 50Ω



2W average power from -55°C to 70°C linearly derated to 1 Watt at 165°C

Parts	Material	Plating ( Micro-inch )
Contact Pin	Beryllium Copper	Gold 4 Over Nickel-Phosphorus Alloy 80 Over Copper 20
Insulator	Teflon	
Body	Stainless Steel	Passivated

This part number complies with RoHS.

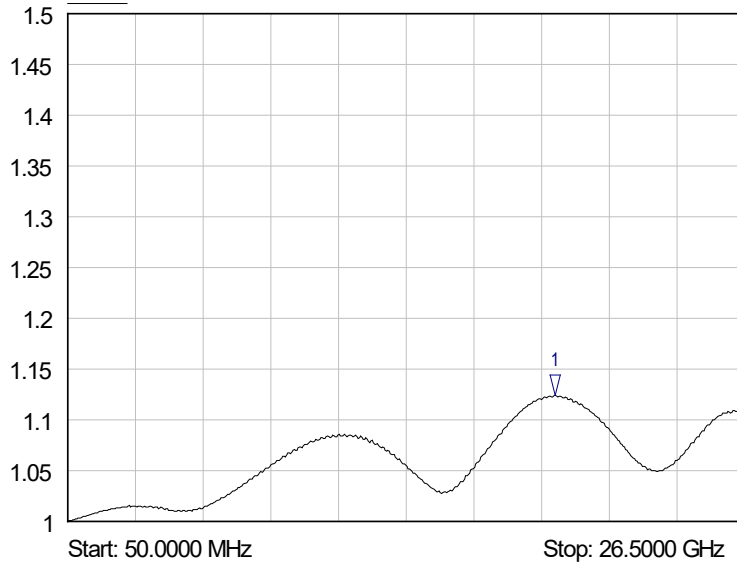
Notice: JYEBAO reserves the right to make modifications deemed appropriate.

SMA	SMA8900S-26.5
<div style="border: 1px solid black; padding: 2px; margin-bottom: 5px;">Interface</div> MIL-STD-348B Mechanically compatible with 2.92 & 3.5	
<div style="border: 1px solid black; padding: 2px; margin-bottom: 5px;">Electrical Data</div> Impedance 50Ω Frequency range DC to 26.5GHz VSWR $\leq 1.1(6\text{GHz}); \leq 1.15(12.4\text{GHz}); \leq 1.2(26.5\text{GHz})$ Insertion loss $\leq 0.04 \times \sqrt{f(\text{GHz})}$ dB Insulation resistance $\geq 5000\text{M}\Omega$ Contact resistance inner conductor $\leq 3\text{m}\Omega$ Contact resistance outer conductor $\leq 2\text{m}\Omega$ Dielectric withstanding voltage (at sea level) 1500 V rms Working voltage (at sea level) 500 V rms	
<div style="border: 1px solid black; padding: 2px; margin-bottom: 5px;">Mechanical Data</div> Recommended coupling nut torque 7 to 9.5 inch lbs Coupling proof torque 15 inch lbs Coupling nut retention force $\geq 60.7$ lbs Contact Captivation-axial $\geq 6.1$ lbs Durability (mating) $\geq 500$	
<div style="border: 1px solid black; padding: 2px; margin-bottom: 5px;">Environmental Data</div> Temperature range -55°C to +165°C Thermal shock MIL-STD-202, Method 107, Condition B Moisture resistance MIL-STD-202, Method 106 Corrosion MIL-STD-202, Method 101, Condition B RoHS Compliant	
<div style="border: 1px solid black; padding: 2px; margin-bottom: 5px;">Tooling</div>	

Notice: JYEBAO reserves the right to make modifications deemed appropriate.

# SMA8900S-26.5

SoftPlot Measurement Presentation  
VSWR S11



1 S11  
19.1000 GHz  
1.12 VSWR